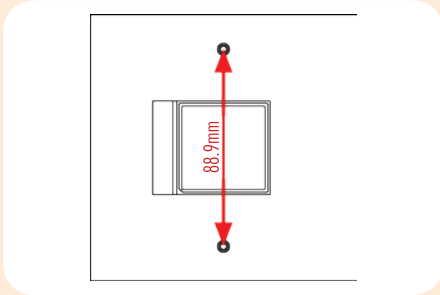


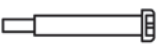
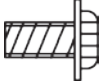
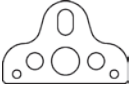
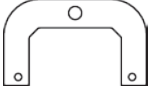

Thank you very much for choosing a Noctua cooler for your AMD Opteron system. Please install the cooler according to this manual.

Should you encounter any difficulties, please check the FAQs on our website and don't hesitate to contact our support team at [support@noctua.at](mailto:support@noctua.at). Noctua cannot be held responsible for any damage or losses caused by compatibility issues.

Please note that the NH-U9DO is designed for Socket F with 88.9mm (3.5 inch) hole spacing. It's thus not compatible with mainboards that have a hole spacing of 104.14mm (4.1 inch).



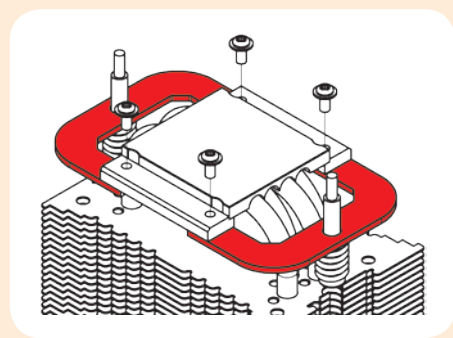
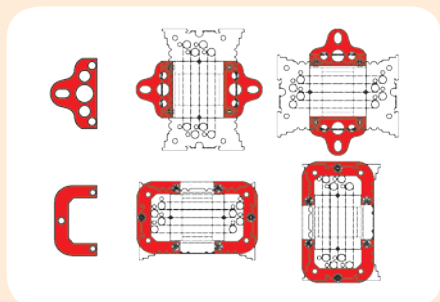
**Required mounting parts:**

	
2x black spring screws	4x short silver screws
	
2x standard fastening brackets	2x 90° fastening brackets
	1x NT-H1 thermal compound
	1x NF-B9 92mm fan
	4x anti-vibration-strips
	4x fan clips
2x pressure springs	

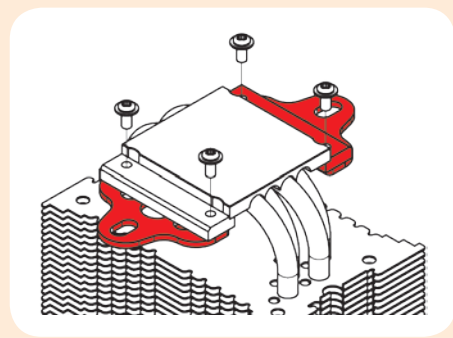
**Step 1:**

**Attaching the fastening brackets to the heatsink**

Choose the fastening brackets according to the desired orientation of the cooler:



When using the 90° fastening brackets, first stick the spring screws and springs into the fastening brackets. Then screw them to the base of the heatsink tightly using 4 short screws.



When using the standard fastening brackets, tightly screw them to the base of the heatsink using 4 short screws.

**Step 2:**

**Applying thermal paste**

If there are residual traces of thermal paste or thermal pads on your CPU, please clean them off first. Press a small drop (4-5mm diameter) of NT-H1 onto the centre of the heat-spreader.

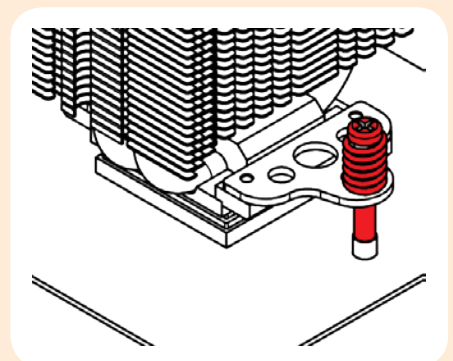
**Caution:** Applying too much thermal paste will lower the heat conductivity and cooling performance!

**Step 3:**

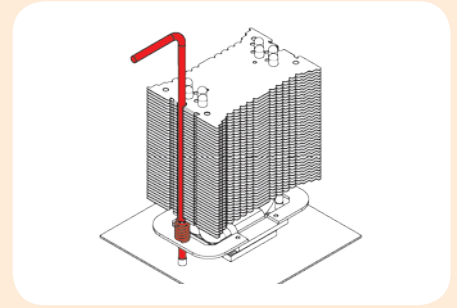
**Fastening the cooler to the CPU**

Take off the protection cover at the bottom side of the heatsink first. Then put the cooler onto the CPU. Align the mounting holes of the fastening brackets with those of the backplate.

Now screw the fastening brackets to the mounting bars employing the pressure springs and the respective screws.



When employing the 90° fastening brackets, please use the supplied mounting-tool to tighten the springscrews.

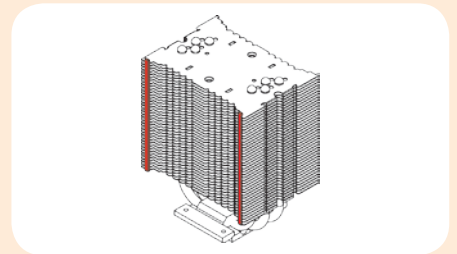


**Caution:** Tighten the screws until they stop.

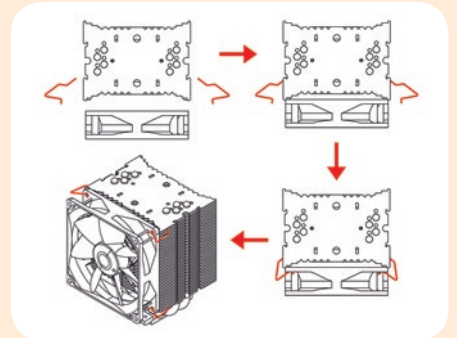
**Step 4:**

**Attaching the fan**

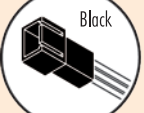
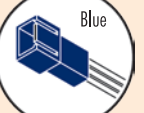
First stick the 2 anti-vibration strips onto the cooling fins in order to dampen minor vibrations emitted by the fan.



Then attach the fan to the heatsink using the 2 steel clips, placing it so that it blows onto the heatsink (You can optionally use the second pair of clips to install a second fan).



Connect the fan to the mainboard, power supply or fan controller. Depending on your CPU and the temperature inside the case, you may interconnect the supplied Low-Noise Adapter (L.N.A.) or Ultra-Low-Noise Adapter (U.L.N.A.) in order to further reduce the fan's operating noise.

	
Low-Noise Adapter (L.N.A.) 1300 RPM, 13.1 dB(A)	Ultra-Low-Noise Adapter (U.L.N.A.) 1000 RPM, 7.9 dB(A)

**Caution:** When using the (U.)L.N.A., check the temperature of your CPU using appropriate software (e.g. the respective applications of your mainboard manufacturer), in order to evade automatic throttling of the CPU due to the increased temperature. If the cooling performance is insufficient, please increase case ventilation or remove the (U.)L.N.A.