

NOCTUA NA-HC5 chromax.black.swap

INSTALLATION MANUAL

This document includes some instructions for installing your NA-HC5 chromax.black.swap heatsink cover.

Should you have any further questions, our support team (support@noctua.at) will be glad to assist you at any time.

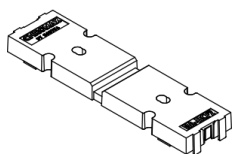
Please also have a look at the regularly updated FAQs on our website:
<http://www.noctua.at/faqs>

This document is also available in other languages at the following URL:
<http://www.noctua.at/manuals>



Scan this code to display multilingual manuals on your mobile phone.

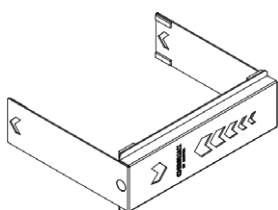
INCLUDED PARTS



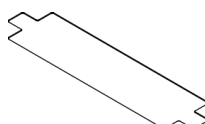
NA-HCF2 fixture



NA-HCC1 steel clip



NA-HC5 cover



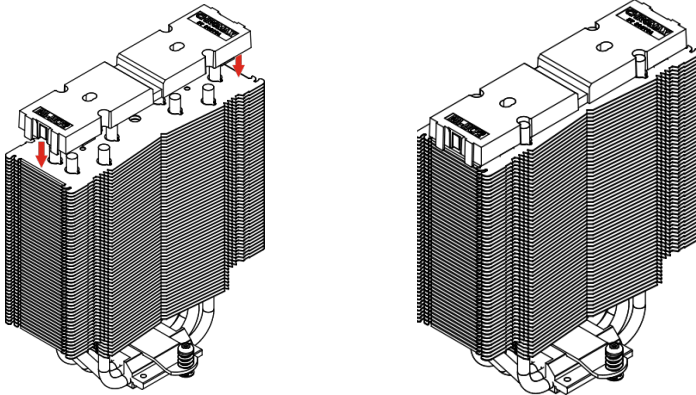
NA-HCi inlays

! Caution

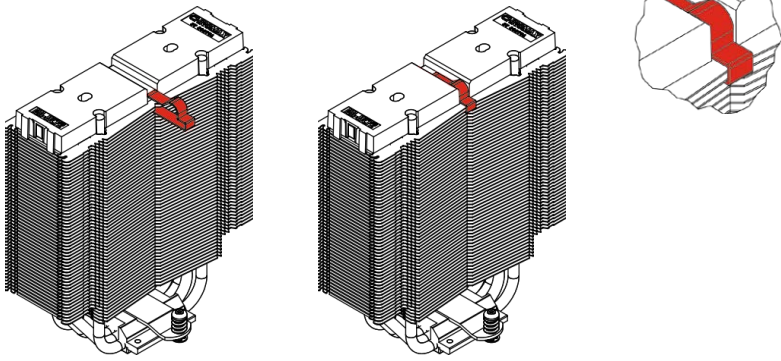
The cover increases the height of the heatsink by 7mm (from 165mm to 172mm) and the total width by 3mm (from 150mm to 153mm). Please make sure that your case offers sufficient clearance and that the cover doesn't make contact with any other components such as PCIe cards!

! If your CPU cooler is not yet installed, please first install the heatsink and attach the fan(s) to the heatsink as described in the cooler manual.

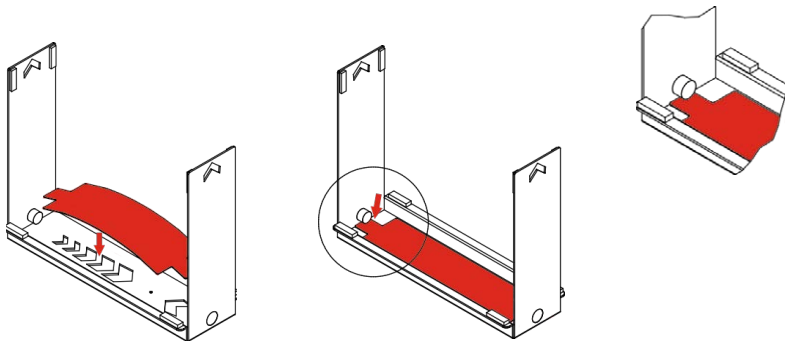
1 Put the fixture on top of the heatsink.



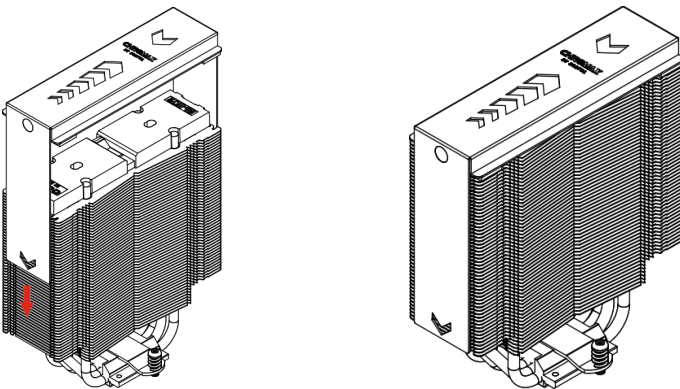
2 Attach the fixture to the heatsink using the steel clip. Note that the steel clip must go underneath the second fin from the top.



3 Choose a colour inlay, remove the protective film and put it into the cover.



4 Slide the cover over the heatsink until the magnets snap into place. Verify that the cover is sitting firmly on the cooler.



! Warranty and support

Even with high-grade products and strict quality control, the possibility of defects cannot be eliminated entirely. Therefore, we aim at providing the highest possible level of reliability and convenience by offering a warranty period of 6 years and direct, fast and straightforward RMA service.

Should you encounter any problems with your NA-HC5 chromax.black.swap heatsink cover, please don't hesitate to contact our support team (support@noctua.at).