

Dear customer,

Congratulations on choosing the Noctua NF-A4x10 5V PWM.

We from Noctua always strive to achieve superior quiet cooling performance regardless of whether it's a big 200mm fan or a small 40mm one. That's why the NF-A4x10 5V PWM sports many of the features and advanced aerodynamic design measures of our award-winning larger models, making it perhaps the most thoroughly optimised 40mm fan on the market.

Each Noctua fan is double checked for flawless operation by our quality control team before it leaves the factory and I'm confident that you will be able to sense some of the research, attention and care we've put into making this product.

Enjoy your NF-A4x10 5V PWM!

Yours sincerely,



Roland Mossig, Noctua CEO

This document includes some instructions for installing, running and cleaning your NF-A4x10 5V PWM.

Should you have any further questions, our support team (support@noctua.at) will be glad to assist you at any time.

Please also have a look at the regularly updated FAQs on our website: <http://www.noctua.at/faqs>

This document is also available in other languages at the following URL: <http://www.noctua.at/manuals>



Scan this code to display multi-lingual manuals on your mobile phone.

Designed in Austria, Noctua's premium cooling components are internationally renowned for their superb quietness, exceptional performance and thoroughgoing quality.

Having received more than 6000 awards and recommendations from leading hardware websites and magazines, Noctua's fans and heatsinks are chosen by more than a hundred thousand satisfied customers around the globe.

sales@noctua.at | www.noctua.at

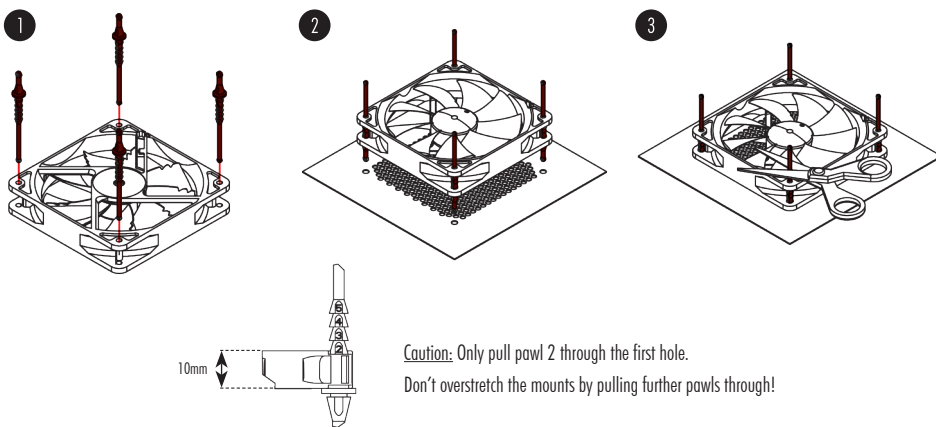


Installation

If you replace an existing 40mm fan with the NF-A4x10 5V PWM in devices such as storage or network solutions, it is usually best to use the screws (or other mounting mechanism) used for the original fan.

CAUTION: Being a 5V fan, the NF-A4x10 5V PWM can not be run at 12V and will be damaged when used with typical 12V power sources such as PC mainboard fan headers.

When installing the NF-A4x10 5V PWM as a case fan, you can either use the supplied mounting screws or NA-AV3 silicone anti-vibration mounts. For installing the fan using the NA-AV3 mounts, please first pull the F side through the fan's mounting holes until pawl 2 is all the way through the hole.



Then pull the C side through the mounting holes of the case. If the long ends of the mounts are in the way, you can use scissors to cut them after installation. Note that this will then make them difficult to reinstall in the future.

Connection

The NF-A4x10 5V PWM comes with a 4-pin PWM fan connector for PWM based speed control. Please note that the fan can also be connected to standard 3-pin fan headers though. When connected to 3-pin fan headers, the fan will run at full speed.

If you would like to run the fan on USB power sources such as devices with USB host ports, power banks or USB power supplies, please use the included NA-AC7 USB power adaptor cable. Please note that the NA-AC7 must be used exclusively with the NF-A4x10 5V PWM fan because using it with other fans bears the risk of damaging sensitive USB host devices.

If you would like to connect the fan to other fan headers, please use the supplied OmniJoin adaptor set as described below.

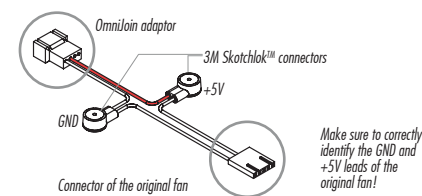
The fan features a short 20cm primary cable in order to help you minimize cable clutter in typical applications. If you need a longer cable, please add the supplied 30cm extension (NA-EC1).

Using the OmniJoin adaptor set

The supplied OmniJoin adaptor set allows you to easily connect the NF-A4x10 5V PWM to proprietary fan headers.

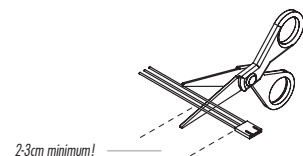
Please first identify the individual leads of the OmniJoin adaptor and the original fan. The OmniJoin adaptor uses black for ground (GND) and red for +5V. The black lead of the adaptor has to be matched with the original GND lead and the red adaptor cable with the original +5V lead.

Many fan cables use the same colours as the OmniJoin adaptor, but please note that there is no guarantee for this, so make sure to correctly identify the GND and +5V leads of the original fan. Please refer to the manual that came with the device or contact the device manufacturer if in doubt.

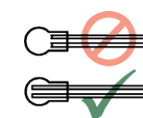


After you've identified the individual leads, please proceed with the following steps to install the OmniJoin adaptor:

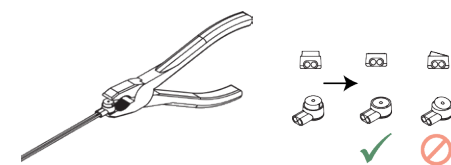
Step 1
Cut off the connector of the fan that was originally used in the device. Make sure not to cut the cable directly at the connector, there should be least a 2-3 cm of cable left:



Step 2
Then take one of the supplied 3M Skotchlok™ connectors and insert the GND lead of the original cable and the black lead of the OmniJoin adaptor into the two holes of the Skotchlok™ connector. Make sure that both leads are fully inserted and pushed all the way back.



Step 3
Then use flat nose pliers to push down the white button of the Skotchlok™ connector. Make sure that the button is not jammed and pushed all the way down. If the button is jammed, push it down from both sides of the Skotchlok™ connector using the flat nose pliers.



Repeat Step 2 and 3 for the +5V lead.

After you've fixed the original fan's cable to the OmniJoin adaptor using the Skotchlok™ connectors, simply connect the NF-A4x10 5V PWM to the adaptor in order to use it in your device.

Cleaning and Maintenance

In order to maintain maximum performance, please clean your fans regularly using a duster, slightly moist tissue or canned air. Please be careful not to use too much force in order to prevent any damage to the fan. Please don't use a vacuum cleaner as this may apply excessive force to the fan. In order to ensure flawless operation over many years of usage, the NF-A4x10 5V PWM's premium grade SSO2 bearing is fully sealed to prevent the entering of fine dust particles. Please note that the fan is not designed to be taken apart by the user. Removing the impeller from the frame will break the sealing of the bearing and results in a loss of warranty.

Warranty and Support

Even with high-grade products and strict quality control, the possibility of defects cannot be eliminated entirely. Therefore, we aim at providing the highest possible level of reliability and convenience by offering a warranty period of 6 years and direct, fast and straightforward RMA service. Should you encounter any problems with your NF-A4x10 5V PWM, please don't hesitate to contact our support team (support@noctua.at).