

NA-SC1 Sx2

Noctua NA-SC1 Sx2 3-Way Fan Splitter Cables



The NA-SC1 Sx2 is a set of two NA-SC1 3-way fan splitter cables that make it possible to power and control three fans through one fan header. By connecting the second triple splitter cable to the first, a total of five fans can be powered and controlled simultaneously. The NA-SC1 cables also feed the RPM signal of the fan on the first output connector back to the input connector so that PC motherboards or other fan controllers can read the fan speed. The NA-SC1's 4-pin connectors are keyed to prevent misalignment and are compatible with both 4-pin PWM and 3-pin fans. While 4-pin fans can be controlled through PWM, the speed of 3-pin fans can be adjusted using voltage control. Thanks to the high-quality black fibreglass silicone sleeving, the NA-SC1 cables are ideal both for use in PCs and for home or multi-purpose ventilation applications.

3-way splitter for PC and other applications

The NA-SC1 splitter cables not only come in handy when building or upgrading PCs (e.g. if you want to control the fans on your 360mm radiator through a single header or if you add extra case fans and don't have any free headers), but also in home and multi-purpose ventilation applications such as when powering several fans on a heating radiator through a single NV-PS1 power supply.

PWM control and RPM monitoring

The NA-SC1 1-to-3 splitter cables forward the PWM signal for speed control from the input connector to all 3 output connectors. They also transfer the RPM speed signal of one fan (output connector 1) back to the input connector for speed monitoring through the motherboard or other fan controllers (due to the signal specifications, only one fan per port can be monitored).

4-pin connector

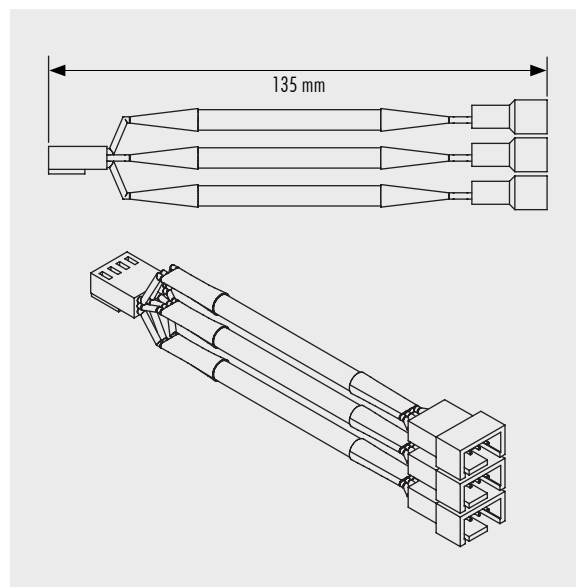
The NA-SC1 cables feature a 4-pin connector that works with both 3-pin and 4-pin PWM fans. As such, the cables are fully compatible with all current Noctua 5V, 12V and 24V fans as well as many third-party models. Additionally, thanks to the keyed design of the connector, there is no risk of misaligning 3-pin fans.

High-quality black sleeving

The NA-SC1 cables come with Noctua's signature braided fibreglass sleeving with silicone coating that is highly resistant against mechanical wear as well as heat and flames (up to 200°C, UL 1441 certified). As such, the NA-SC1 cables are suitable for use in critical applications and harsh industrial environments.

SPECIFICATIONS

Connector	4-pin PWM
Warranty	6 years



LOGISTIC DATA

Product name
Noctua NA-SC1 Sx2

EAN
9010018201727

UPC
841501121722

Packaging dimensions (HxWxD)
16x140x81.3 mm

Weight incl. packaging
435 g

Warranty
6 years

Packaging unit
80 pcs

Packaging dimensions / unit (HxWxD)
200x384x303 mm

Weight incl. packaging / unit
4.20 kg

SCOPE OF DELIVERY

2x NA-SC1 3-way splitter cable