

# NA-SYC1

## Noctua NA-SYC1 2x 4-Pin Y-Cables



The NA-SYC1 is a fan accessory set consisting of two fully sleeved NA-YC1 Y-Cables for 4-pin PWM fans. The NA-YC1 Y-Cables make it possible to run two 4-pin PWM fans on a single fan header and to let the mainboard control the speed of both fans simultaneously. Multiple NA-YC1 can be daisy-chained to control more than two PWM fans via one header.

### LOGISTIC DATA

Product name

Noctua NA-SYC1

EAN

4716123315193

UPC

841501120336

Packaging dimensions (HxWxD)

150x111x30 mm

Weight incl. packaging

60 g

Warranty

6 years

Packaging unit

40 pcs

Packaging dimensions / unit (HxWxD)

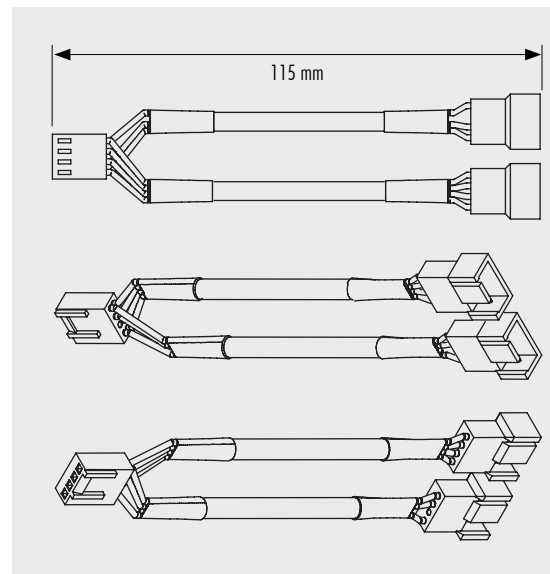
320x320x240 mm

Weight incl. packaging / unit

3.04 kg

### SCOPE OF DELIVERY

2x NA-SYC1



**Caution:** Common mainboard fan headers support up to 9.6 or 12W (check your mainboard manual for detailed information). Therefore please make sure that the combined power draw of the fans connected to one fan header using NA-YC1 adaptors does not exceed this value!