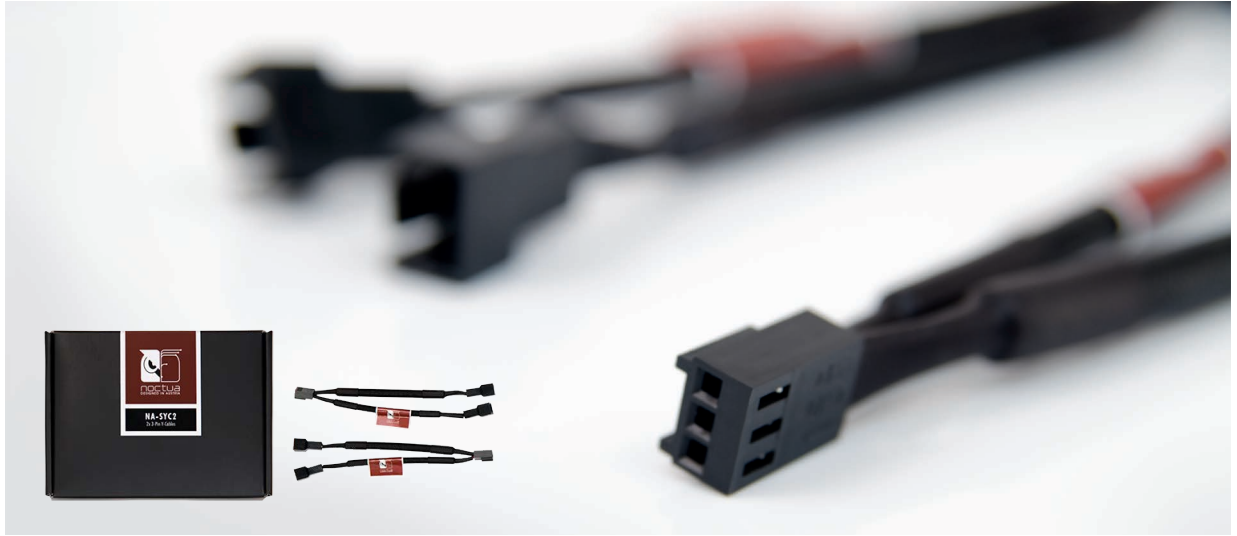


# NA-SYC2

## Noctua NA-SYC2 3x 3-Pin Y-Cables



The NA-SYC2 is a fan accessory set consisting of two fully sleeved NA-YC2 Y-Cables for 3-pin fans. The NA-YC2 Y-Cables make it possible to run two 3-pin fans on a single fan header.

### LOGISTIC DATA

Product name

Noctua NA-SYC2

EAN

4716123315209

UPC

841501120343

Packaging dimensions (HxWxD)

150x111x30 mm

Weight incl. packaging

58 g

Warranty

6 years

Packaging unit

40 pcs

Packaging dimensions / unit (HxWxD)

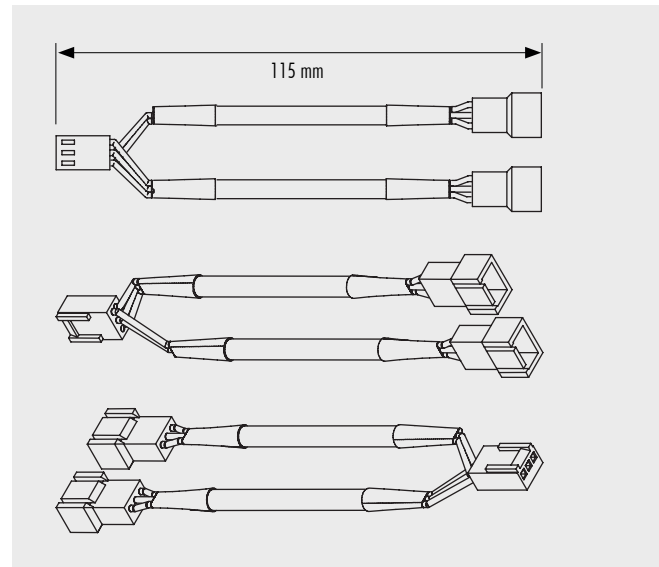
320x320x240 mm

Weight incl. packaging / unit

2.96 kg

### SCOPE OF DELIVERY

3x NA-SYC2



**Caution:** Common mainboard fan headers support up to 9.6 or 12W (check your mainboard manual for detailed information). Therefore please make sure that the combined power draw of the fans connected to one fan header using NA-YC2 adaptors does not exceed this value!