

NM-AM5/4-MP83

NOCTUA NM-AM5/4-MP83 MOUNTING KIT



The NM-AM5/4-MP83 is a SecuFirm2™ mounting upgrade kit that allows Noctua CPU coolers with 83mm mounting pitch (see detailed compatibility information) to be upgraded to AMD's AM5 and AM4 platforms. True to the SecuFirm2™ tradition, it combines outstanding reliability, optimal contact pressure and easy, straightforward installation in order to enable Noctua users to continue using their heatsinks on AMD's latest Ryzen processors.

For Noctua coolers with 83mm mounting pitch

The NM-AM5/4-MP83 kit is compatible with a wide range of Noctua CPU coolers that use 83mm mounting pitch, whereas heatsinks with 78mm mounting pitch must use the MP78 version. Please refer to our detailed compatibility information to check which kit is right for your cooler.

Tailor-made for AM5/AM4

Aiming to cut costs, many manufacturers use cross-platform parts for both AMD and Intel, which can cause compatibility issues. Noctua's SecuFirm2™ mounting system for AM5 and AM4 has been tailor-made for these sockets in order to ensure optimal compatibility and ease of installation.

Trusted SecuFirm2™ quality

Over the years, SecuFirm2™ has become synonymous with impeccable long-term stability and flawless craftsmanship. Enthusiast users and industry clients alike trust the time-tested quality of Noctua's professional mounting systems.

Backwards compatibility

Noctua CPU coolers are renowned for being safe, long-term investments that can be used for several CPU generations. Accordingly, even coolers that are 15 years or older can be upgraded to the latest AMD Ryzen platform using this mounting kit.

LOGISTIC DATA

Product name
Noctua NM-AM5/4-MP83

EAN
9010018201482

UPC
841501121487

Packaging dimensions (HxWxD)
153x110x30 mm

Weight incl. packaging
96 g

Warranty
6 years

Packaging unit
60 pcs

Packaging dimensions / unit (HxWxD)
350x325x320 mm

Weight incl. packaging / unit
6.50 kg

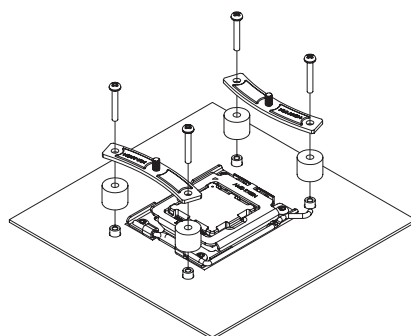
SCOPE OF DELIVERY

NM-AM5/4-MP83 mounting kit

NM-AM5/4-MP83 MOUNTING KIT SPECIFICATIONS

Socket compatibility

AMD AM5



Please note that this NM-AM5/4-MP83 kit is compatible with heatsinks with 83mm mounting pitch only.

For heatsinks with 78mm mounting pitch, the NM-AM5/4-MP78 kit must be used instead.

To find out how to determine if your cooler uses 83mm or 78mm mounting pitch, please see: www.noctua.at/mounting-pitch

For detailed, up-to-date socket compatibility information please visit: ncc.noctua.at/socket-compatibility-overview