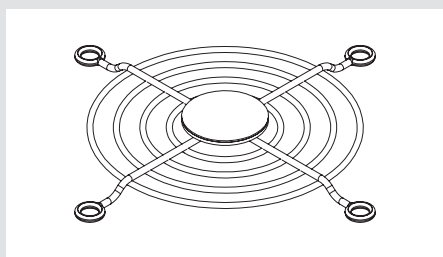
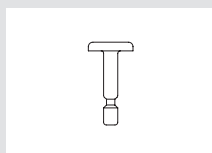




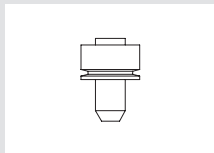
Included mounting parts:



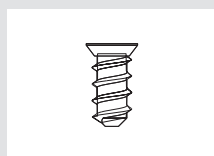
Fan grills



NA-PP1
push-pin insert



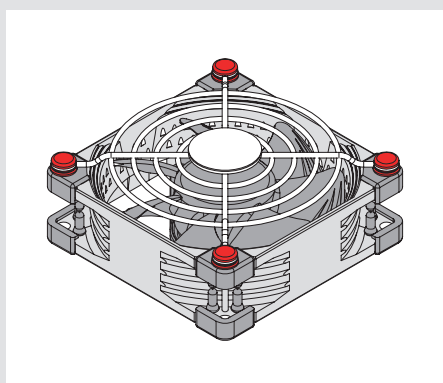
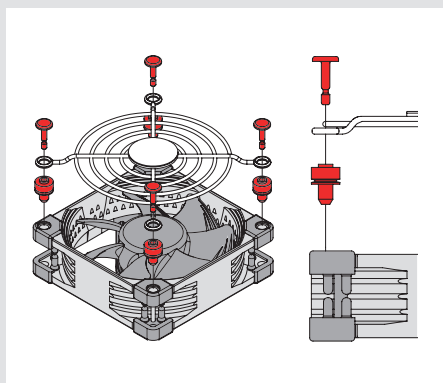
NA-PPP1
push-pin plug



Fan screws

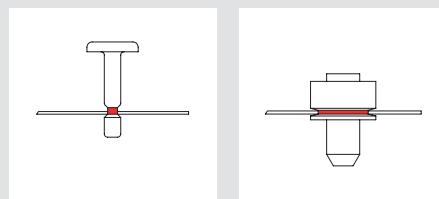
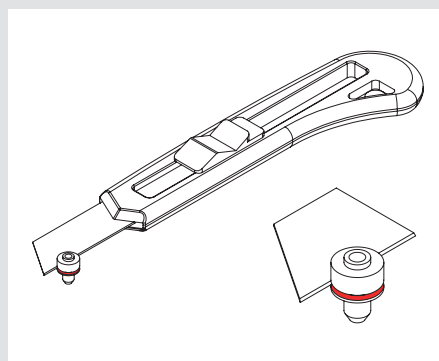
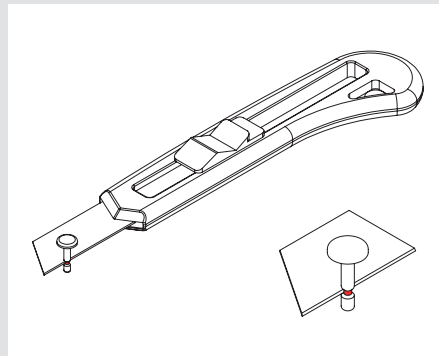
1 Installing the fan grills

NA-FG1 fan grills can be installed either using the supplied tool-free push-pins or using the supplied screws. For the push-pin mounting, please first insert the rubber plugs into the fan's mounting holes. Then put on the grill and fix it by pushing the pins into the holes:



2 Removing the offset

If you would like to install the grills using the push-pins, but without the standard 5mm offset, please cut both the rubber plugs and the pins at the marked spots using a cutter knife or scissors:



Note that with some slim-type fan models and depending on the way the fan itself is installed, the push-pins may not hold tightly. In this case, please use the screws for installing the grills.

! Video instructions

For a video tutorial on how to use and shorten the push-pins, please scan this code:



! Warranty, support and FAQs

Even with high-grade products and strict quality control, the possibility of defects cannot be eliminated entirely. Therefore, we aim at providing the highest possible level of reliability and convenience by offering a warranty period of 6 years and direct, fast and straightforward RMA service.

Should you encounter any problems with your NA-FG1, please don't hesitate to contact our support team at support@noctua.at.

Please also consult the FAQ section on our website: www.noctua.at/faqs