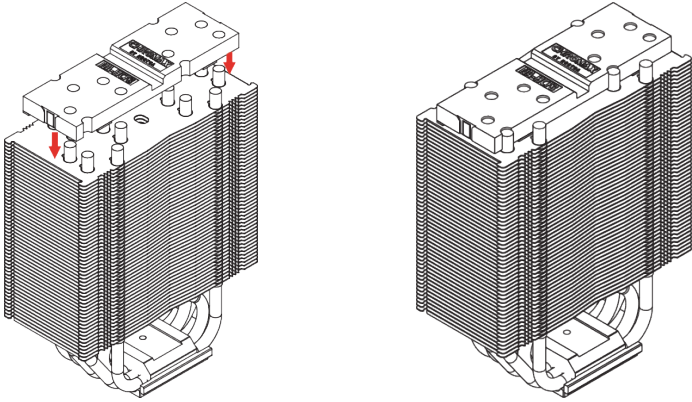


! 注意:

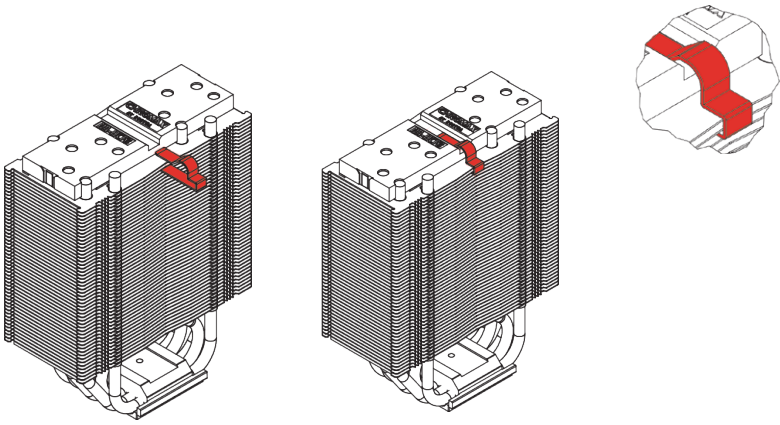
散热器盖使散热器的整体高度增加了 3mm (从 158 到 161mm)，总宽度增加了 3mm (从 125 到 128mm)。请确保您的机箱提供足够的空间间隙，并且散热器盖不会与任何其他组件 (例如 PCIe 卡) 接触到!

! 如果您的 CPU 散热器还没有安装，请先按照散热器手册中的说明安装好散热器，然后安装两个风扇中的其中一个。如果您已经安装好了两个风扇，请移除其中的一个。

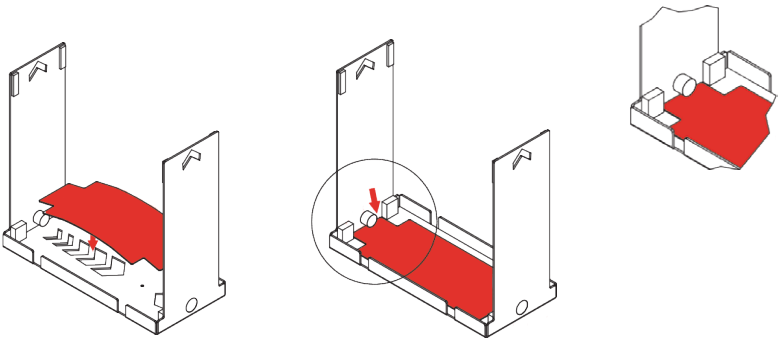
1



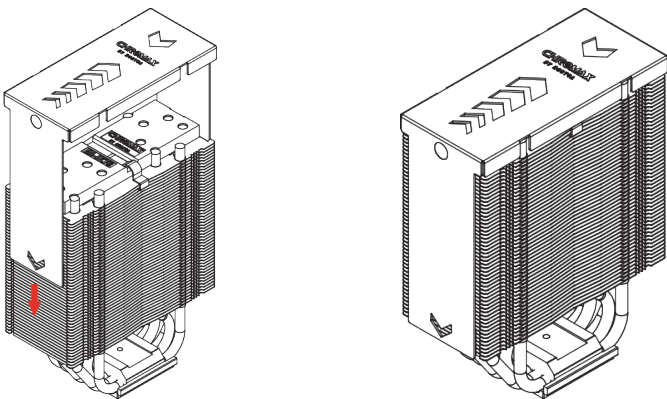
2



3 Choose a colour inlay, remove the protective film and put it into the cover.



4 First attach the second fan to the heatsink. Then slide the cover over the heatsink until the magnets snap into place. Verify that the cover is sitting firmly on the cooler.



! Warranty and support

Even with high-grade products and strict quality control, the possibility of defects cannot be eliminated entirely. Therefore, we aim at providing the highest possible level of reliability and convenience by offering a warranty period of 6 years and direct, fast and straightforward RMA service.

Should you encounter any problems with your NA-HC7 chromax.black.swap heatsink cover, please don't hesitate to contact our support team (support@noctua.at).