

noctua
DESIGNED IN AUSTRIA



NA-SFMA1 | User Manual

This manual will guide you through the installation process step by step using an NF-A12x25 fan as an example.

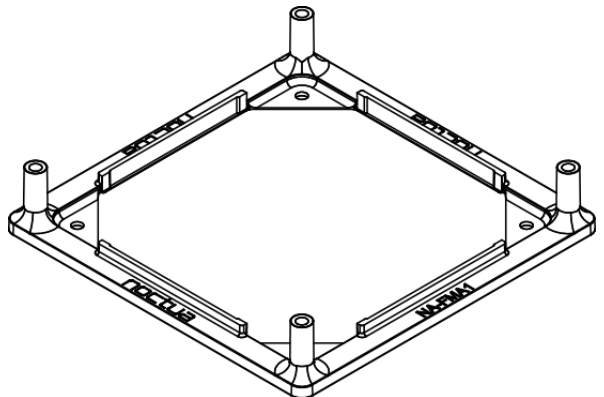
Should you encounter any difficulties, please check the FAQs on our website (www.noctua.at/fans) and don't hesitate to contact our support team at support@noctua.at.

Designed in Austria, Noctua's premium cooling components are internationally renowned for their superb quietness, exceptional performance and thoroughgoing quality.

Having received more than 6000 awards and recommendations from leading hardware websites and magazines, Noctua's fans and heatsinks are chosen by more than a hundred thousand satisfied customers around the globe.

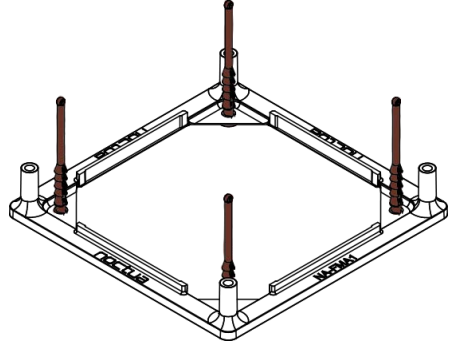
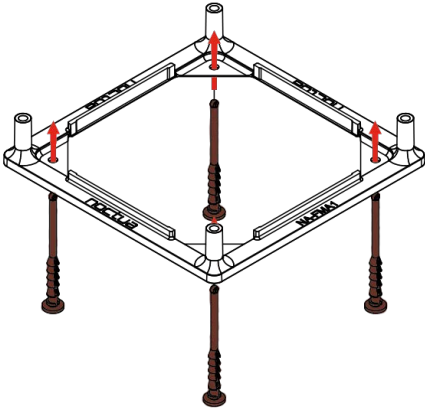


sales@noctua.at | www.noctua.at



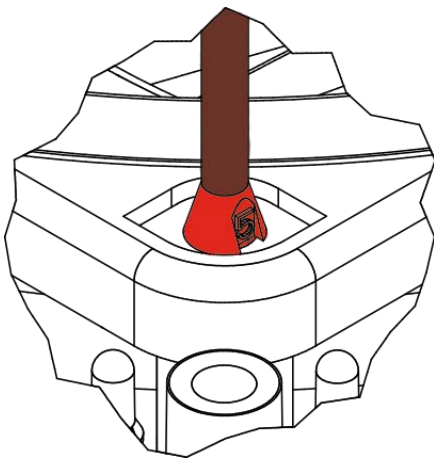
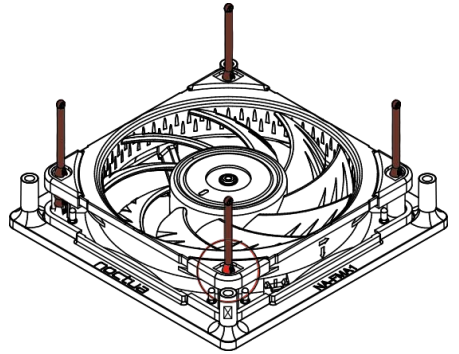
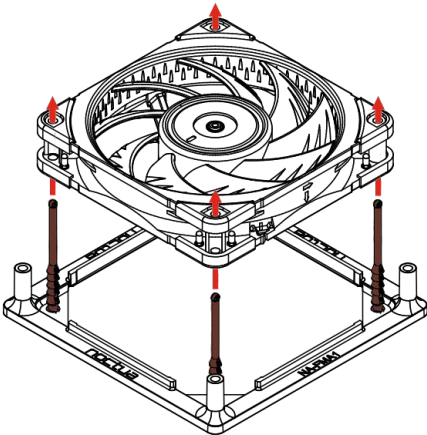
Scope of delivery:
2x NA-FMA1 adaptor
8x NA-AV4 anti-vibration mounts

- 1** First pull the NA-AV4 anti-vibration mounts through the fan mounting holes of the adaptor.



- 2** Then put on the 120x25mm fan so that the tips of the anti-vibration mounts stick through the fan's mounting holes. Pull on the tips to fix the fan until pawl number 5 is all the way through.

Caution: Only pull pawl 5 through the hole. Don't overstretch the mounts by pulling the next pawl through!



If the long ends of the mounts are in the way, you can use scissors to cut them after installation. Note that this will then make them difficult to reinstall in the future.

- 3** Finally put the adaptor on your water cooling radiator (or other application) and fix it with the screws supplied with the radiator. For other applications, you can use either standard fan screws or other, custom screws to fix the adaptor.

