



Dear customer,

Congratulations on choosing the Noctua NF-A6x15 PWM.

We at Noctua always strive to achieve superior quiet cooling performance regardless of whether it's a big 200mm fan or a small 40mm one. That's why the NF-A6x15 PWM sports many of the features and advanced aerodynamic design measures of our award-winning larger models, making it perhaps the most thoroughly optimised 60mm fan on the market.

Each Noctua fan is double-checked for flawless operation by our quality control team before it leaves the factory and I'm confident that you will be able to sense some of the research, attention and care we've put into making this product.

Enjoy your NF-A6x15 PWM!

Yours sincerely,



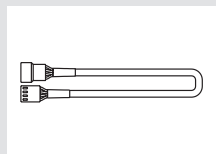
Roland Mossig, Noctua CEO

This document includes some instructions for installing, running and cleaning your NF-A6x15 PWM.

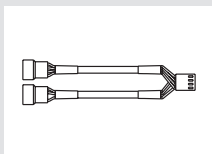
Should you encounter any difficulties, please check the FAQs on our website ([faq.noctua.at](https://www.noctua.at/faq)) and don't hesitate to contact our support team at support@noctua.at.

Multilingual versions of this manual are available on our website: www.noctua.at/manuals

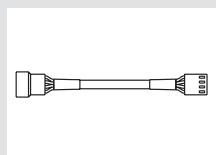
Included mounting parts:



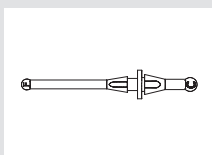
NA-EC1
30cm extension cable



NA-YC1
4-pin PWM splitter cable



NA-RC14
Low-Noise Adaptor (L.N.A.)



4x NA-AV2
anti-vibration mounts



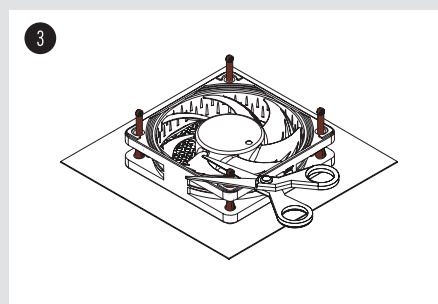
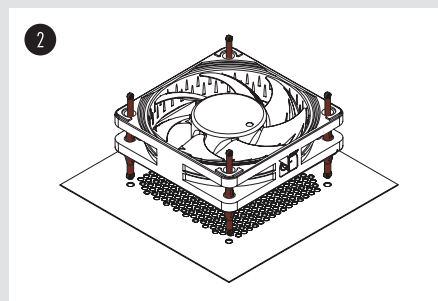
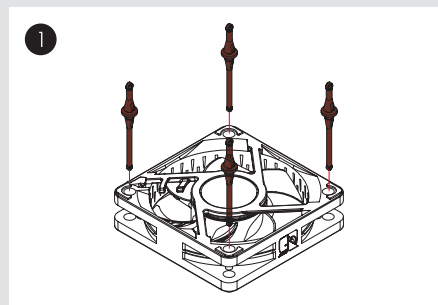
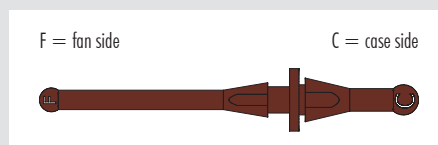
4x fan screws

1 Installation

If you replace an existing 60mm fan with the NF-A6x15 PWM in devices such as storage or network solutions, it is usually best to use the screws (or other mounting mechanism) used for the original fan.

Depending on the application, it may also be possible to use the supplied mounting screws or silicone anti-vibration mounts.

For installing the fan using the NA-AV2 mounts, please first pull the F side through the fan's mounting holes and then pull the C side through the mounting holes of the case:



If the long ends of the mounts are in the way, you can use scissors to cut them after installation. Note that this will then make them difficult to reinstall in the future.

2 Connection

The NF-A6x15 PWM comes with a 4-pin PWM fan connector for fully automatic speed control via your motherboard's 4-pin PWM fan headers. Please note that the fan can also be connected to your motherboard's 3-pin fan headers though. When connected to 3-pin fan headers, the

NF-A6x15 PWM will run at full speed (unless the motherboard supports voltage based speed control).

If you're using multiple NF-A6x15 PWM fans, you can use the supplied Y-cable (NA-YC1) to connect several fans to one PWM fan header. This way, your motherboard will set all the connected fans to run at the same speed.

The NF-A6x15 PWM features a short 20cm primary cable in order to help you minimise cable clutter in typical applications. If you need a longer cable, please add the supplied 30cm extension (NA-EC1).

The NF-A6x15 PWM comes with a Low-Noise Adaptor (NA-RC14) that allows you to reduce the fan speed from 3500 to 3050rpm. You can either use the adaptor to set the fan to a fixed speed of 3050rpm (if speed control is deactivated) or to cap the maximum speed to 3050rpm during PWM speed control.

3 Cleaning and maintenance

In order to maintain maximum performance, please clean your fans regularly using a duster, slightly moist tissue or canned air. Please be careful not to use too much force in order to prevent any damage to the fan. Please don't use a vacuum cleaner as this may apply excessive force to the fan.

In order to ensure flawless operation over many years of usage, the NF-A6x15 PWM's premium grade SSO2 bearing is fully sealed to prevent the entering of fine dust particles.

Please note that the fan is not designed to be taken apart by the user. Removing the impeller from the frame will break the sealing of the bearing and results in a loss of warranty.

! Warranty, support and FAQs

Even with high-grade products and strict quality control, the possibility of defects cannot be eliminated entirely. Therefore, we aim at providing the highest possible level of reliability and convenience by offering a warranty period of 6 years and direct, fast and straightforward RMA service.

Should you encounter any problems with your NF-A6x15 PWM, please don't hesitate to contact our support team (support@noctua.at).

Please also consult the FAQ section on our website: [faq.noctua.at](https://www.noctua.at/faq)