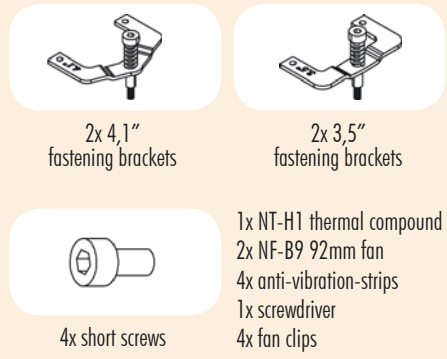


Thank you very much for choosing a Noctua cooler for your AMD Opteron system. Please install the cooler according to this manual.

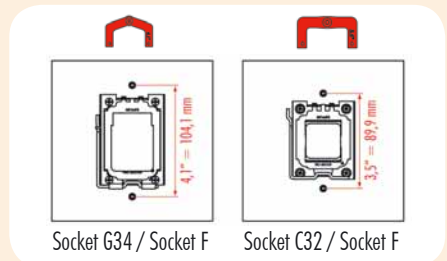
Should you encounter any difficulties, please check the FAQs on our website and don't hesitate to contact our support team at support@noctua.at. Noctua cannot be held responsible for any damage or losses caused by compatibility issues.

Required mounting parts:

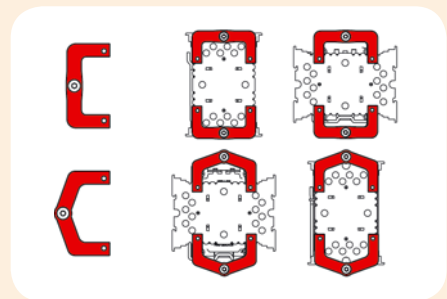


Step 1: Attaching the fastening brackets

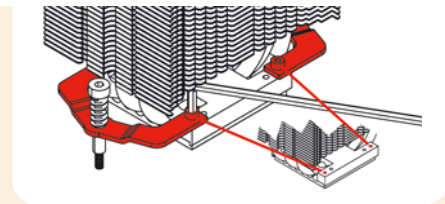
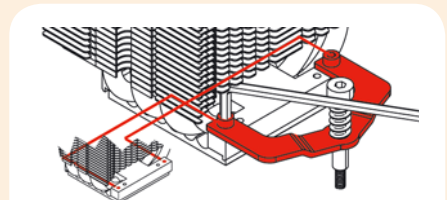
The NH-U9DO A3 includes fastening brackets for mainboards with 3.5" and 4.1" hole spacing. Please choose the appropriate set of fastening brackets for your mainboard:



Please install the fastening brackets according to the desired orientation of the cooler:



Screw the fastening brackets to the base of the heatsink using the 4 short screws. Please use the outer set of mounting holes.



Step 2: Applying thermal paste

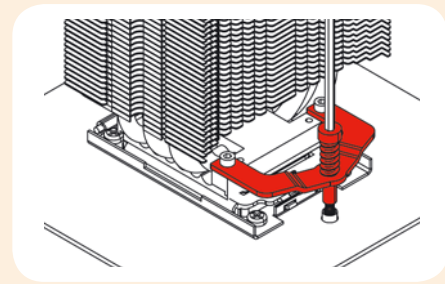
If there are residual traces of thermal paste or thermal pads on your CPU, please clean them off first. Press a small drop (4-5mm diameter) of NT-H1 onto the centre of the heat-spreader.

Caution: Applying too much thermal paste will lower the heat conductivity and cooling performance!

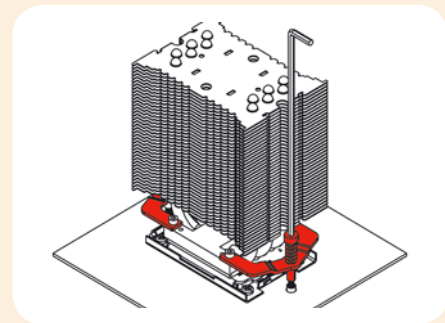
Step 3: Fastening the cooler to the CPU

Caution: Please take off the protection cover at the bottom side of the heatsink first!

Put the heatsink onto the CPU and tighten the two spring-loaded screws until they stop.



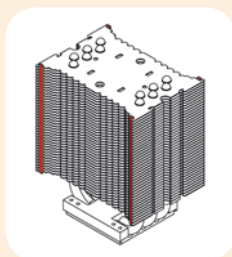
When installing the cooler turned by 90°, please use the supplied screwdriver to tighten the screws.



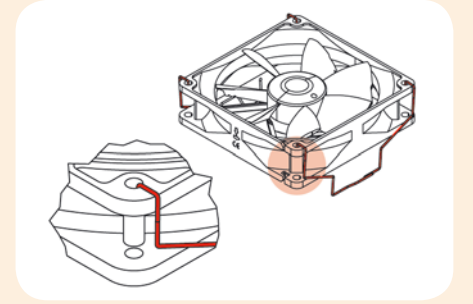
Caution: Gently tighten the screws until they stop

Step 4: Attaching the fan(s)

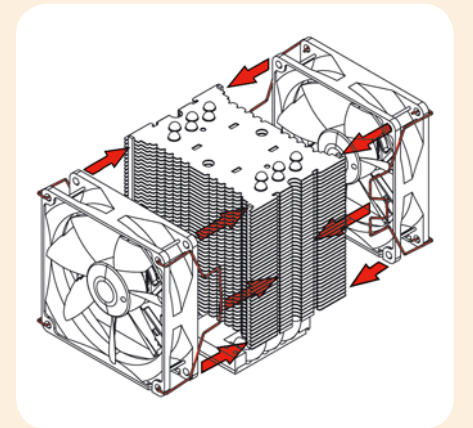
Stick the 2 anti-vibration strips onto the cooling fins in order to dampen minor vibrations emitted by the fan.



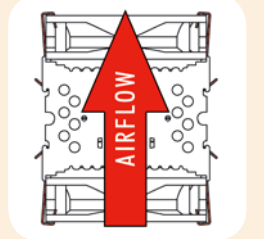
Install two of the steel clips onto the fan by putting the ends of the steel clips into the mounting holes of the fan as shown below.



Then attach the fan(s) to the heatsink using the steel clips, placing it so that it blows onto the heatsink.

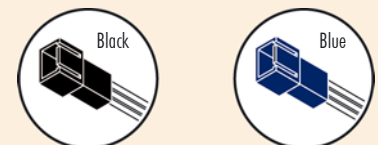


Add the second NF-B9 fan sucking air off the rear side of the heatsink for extra performance (average gains 1-3°C). Please make sure that both fans are aligned in the same direction.



Connect the fan(s) to the mainboard, power supply or fan controller. Use the supplied y-split cable to connect both fans to one fan header. Depending on your CPU and the temperature inside the case, you may interconnect the supplied Low-Noise Adapter (L.N.A.) or Ultra-Low-Noise Adapter (U.L.N.A.) in order to further reduce the fan's operating noise.

Caution: Please use one adaptor per fan when running two fans with adaptors. Never use one adaptor for two fans by putting it before the y-split cable.



Black
Low-Noise Adapter (L.N.A.)
1300 RPM, 13.1 dB(A)

Blue
Ultra-Low-Noise Adapter (U.L.N.A.)
1000 RPM, 7.9 dB(A)

Caution: When using the (U.)L.N.A., check the temperature of your CPU using appropriate software (e.g. the respective applications of your mainboard manufacturer), in order to evade automatic throttling of the CPU due to the increased temperature. If the cooling performance is insufficient, please increase case ventilation or remove the (U.)L.N.A.