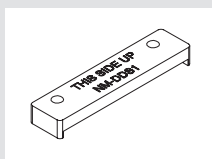
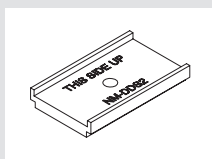




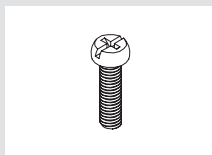
Required mounting parts:



NM-DDS1
cooler spacer



NM-DDS2
cooler spacer



4x NM-SSC6
screws



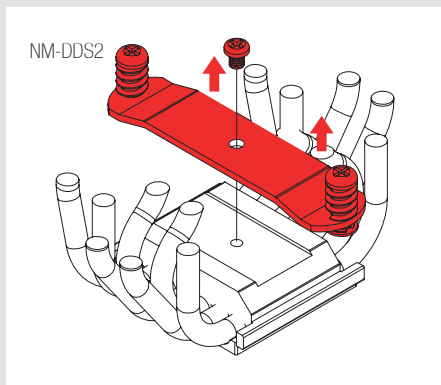
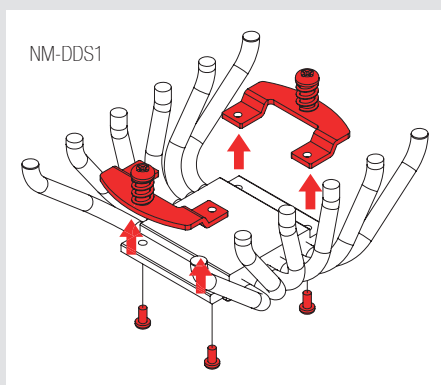
NM-SSC7
screws

! Caution

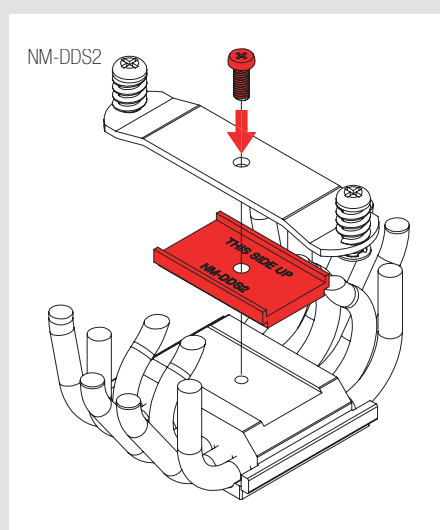
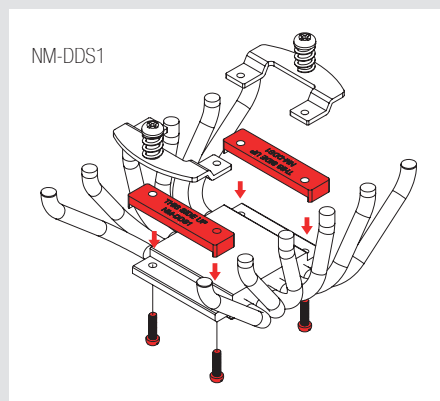
Caution: Direct die cooling is done at your own risk! While high-quality delidding tools and direct die frames like those from der8auer have been thoughtfully engineered to minimise the risk of damaging the CPU or other hardware components, direct die cooling will always bear a certain risk of damaging components e.g. due to cracked edges on the bare CPU dies or short circuits from liquid metal compound. Delidding will also void the processors' warranty. Therefore, using the NM-DD1 is strictly at the customer's own risk and Noctua cannot be held responsible for any damage that may occur to CPUs or other hardware components when removing the heat spreader and using direct die cooling.

1 Installing the direct die spacers

First, unscrew the fastening bracket(s) from the cooler.



Use the supplied longer screws to reinstall the fastening bracket(s) with the supplied spacer(s) underneath, as shown below.



Caution: Make sure that the side marked "this side up" is facing away from the cooler's contact surface.

