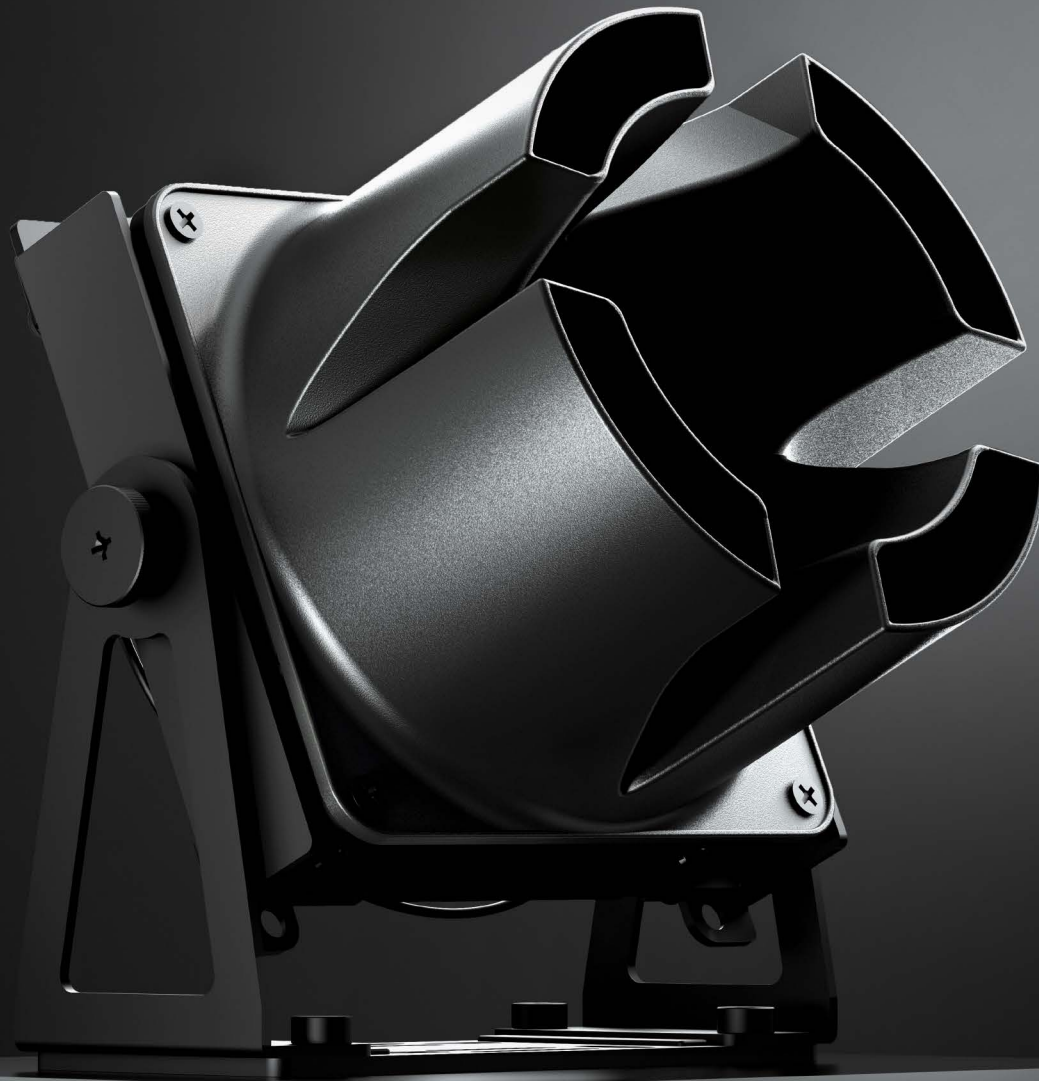




# User Manual

HOME



## **NOCTUA** NV-FS1

Desk, room and multi-purpose fan set

---

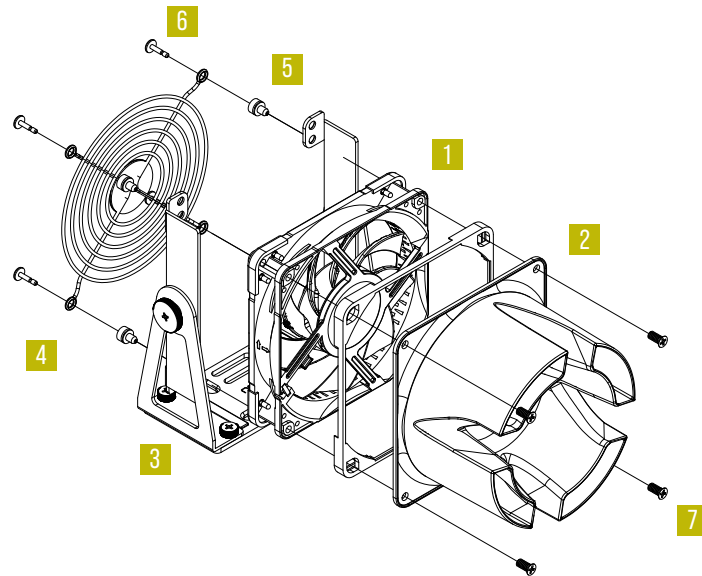
# NOCTUA NV-FS1

## Desk, room and multi-purpose fan set

The NV-FS1 is a highly versatile, premium grade multi-purpose fan set that can be used for a wide range of ventilation tasks such as desk and room fan applications or device cooling.

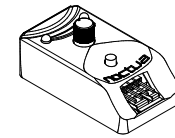
Whilst the NV-FS1 fan set comes pre-assembled ready for use, due to its modular design it can also be disassembled or modified for specific applications. A breakdown of the key components can be found below.

### Key components

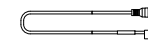


- 1 NF-A12x25 PWM chromax.black premium fan
- 2 NA-AA1-12 airflow amplifier
- 3 NV-FM1 multi-purpose fan mount
- 4 NA-FG1-12 120mm fan grill
- 5 Push-pin insert
- 6 Push-pin plug
- 7 Fan screws

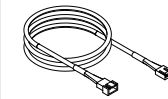
### Accessories



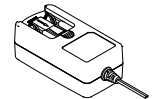
NA-FC1  
fan controller



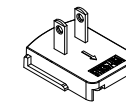
NA-AC10  
adaptor cable



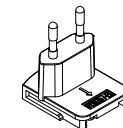
NV-EC4-1m  
extension cable



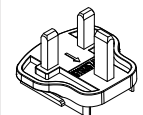
NV-PS1  
power supply



US socket adaptor  
(Type A)



EU socket adaptor  
(Type C)



UK socket adaptor  
(Type G)



4x fan screws



4x zip ties



4x wall plugs

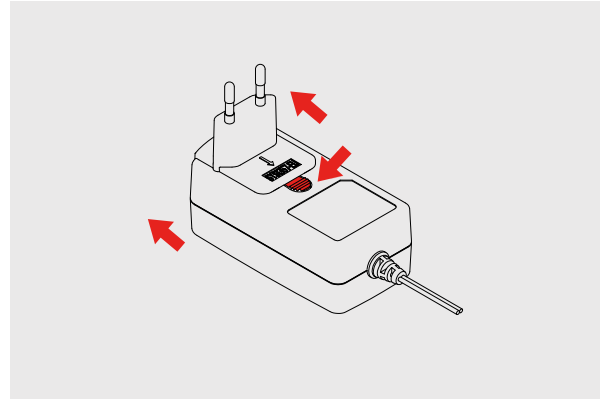


4x mounting screws

## Setup

With the NV-PS1 power supply, the NV-FS1 set can be powered directly from the mains, and includes modular connectors for EU, US and UK type sockets. To assemble the power supply, simply slide the chosen connector onto the main NV-PS1 device until it clicks into place.

To remove or switch the connector to a different socket type, hold down the release button and slide the connector back up.

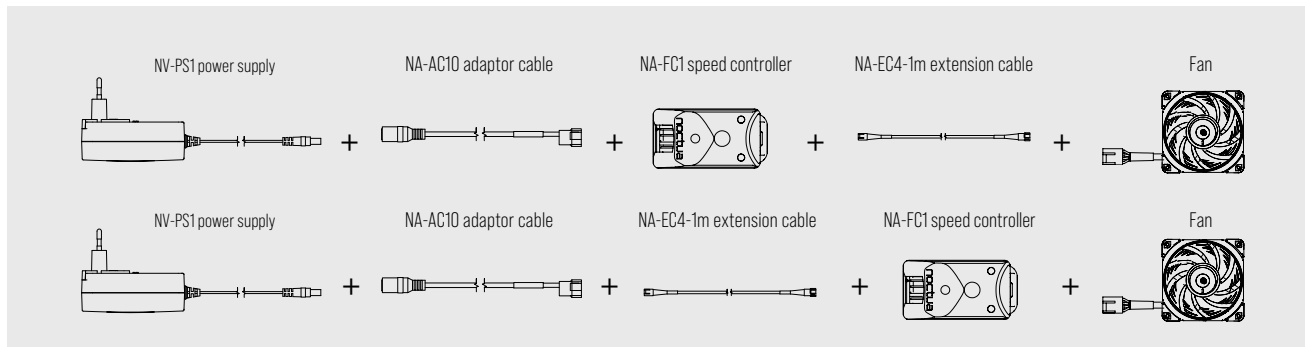


To connect the NV-PS1 power supply to the fan, insert the NA-AC10 adaptor between the primary fan cable and the cable of the NV-PS1 power supply.

In addition to the 135cm cable of the NV-PS1 power supply, the 30cm long NA-AC10 adaptor and the fan's 20cm primary cable, the NV-FS1

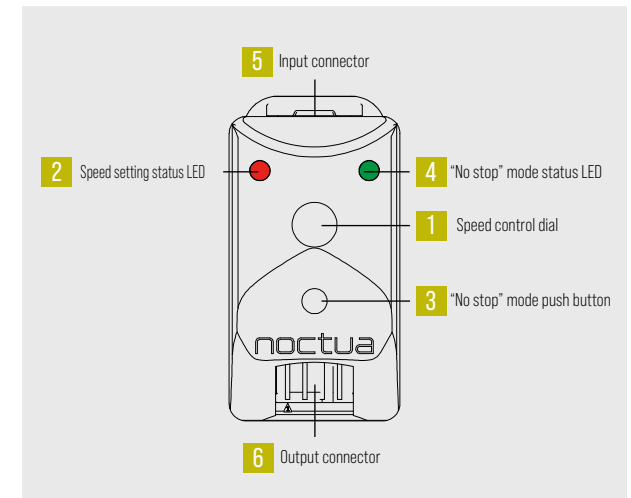
set includes an NV-EC4 1m extension cable that increases the total reach to 2.85m.

If using the extension cable, this should be connected between the NA-AC10 adaptor and the primary fan cable. The NA-FC1 fan controller can be placed before or after the extension cable for maximum flexibility.



## Speed control

For convenient stepless speed control, the NA-FC1 controller makes it possible to adjust the fan from maximum airflow performance all the way to near-inaudible operation, via the speed control dial.



By default, the fan will start up when the speed control dial is turned up, and turn off when the dial is turned back to minimum.

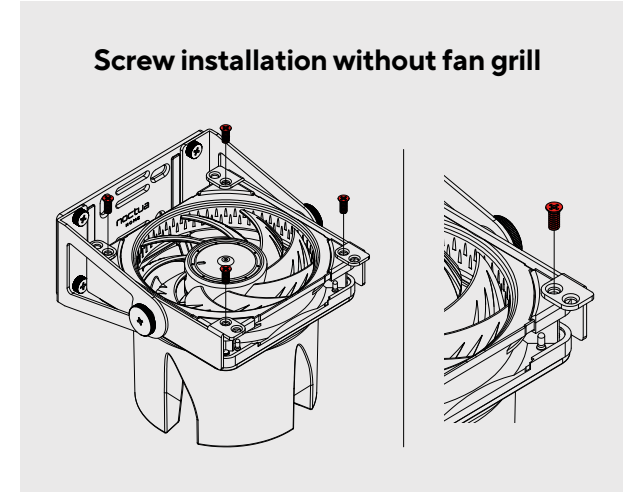
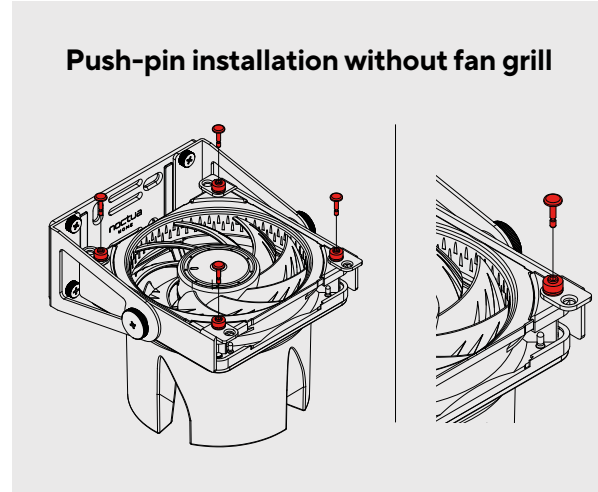
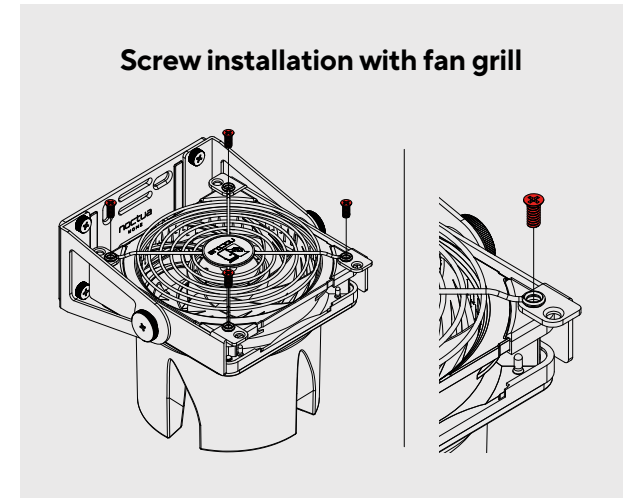
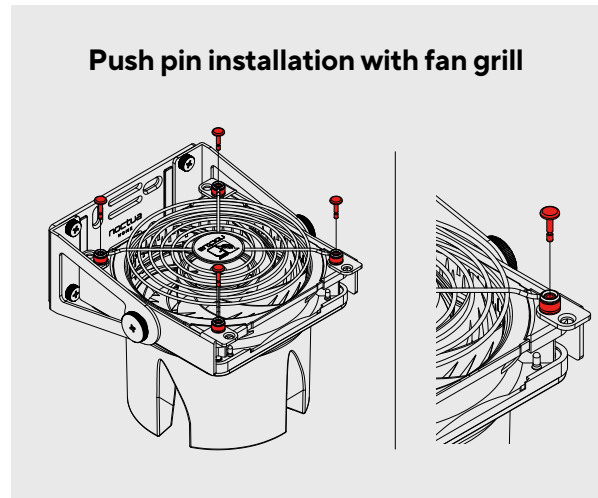
If the small push button is pressed (3) and the green status LED is on (4), the NA-FC1 will operate in "no stop" mode, which means that it will not allow the fan to fall below 300rpm, regardless of the speed setting.

## Removing the fan grill for acoustic optimisation

In its default setup, the NV-FS1 has both the fan and fan grill pre-installed using push-pins that offset the grill from the fan by 5mm to improve intake acoustics and airflow efficiency. However, both acoustics and airflow performance can be further improved by removing the grill in applications where protection from accidental touch or other mechanical contact is not necessary.

To remove the grill, hold the fan tightly with one hand and pull on the grill so that the push-pins release. To re-attach the fan to the NV-FM1 mount without the grill, you can either re-use the push-pins or use the supplied fan screws.

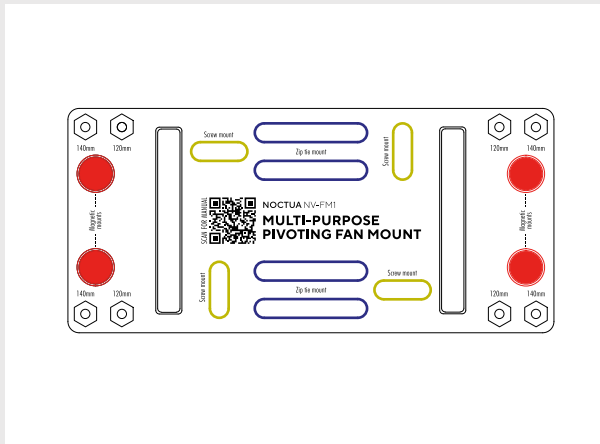
To re-use the push-pins, first disassemble them by pulling the hard plastic inserts out from the rubber plugs. Then align the fan with the NV-FM1's mounting holes and push in the rubber plugs so that they protrude into the fan's mounting holes. Finally, fix everything in place by re-adding the hard plastic inserts.



## Mounting

The NV-FS1 cannot only be used as a simple stand on desks or other level surfaces, but can also be fixed to walls, ceilings, furniture, or other objects using the screw-mounting holes and zip-tie slits at the base.

Please note that it is the sole responsibility of the customer to ensure that the NV-FS1 is properly fixed. Always choose a way of fixing that is suitable for the particular application and environment! Be extra careful when fixing the NV-FM1 in positions where improper fixation may cause it to fall down (e.g. ceilings, walls).



- 1 Screw mounting holes
- 2 Zip tie mounting slots
- 3 Magnets

## Magnetic mounting

Simply put the NV-FS1 onto any flat, magnetic surface (e.g. flat steel panels, etc.) for it to be held in place by the magnets that are integrated into the base.

Do not use the magnetic mounting on surfaces warmer than 90°C or if the NV-FS1 has been exposed to temperatures of 90°C or higher as this can reduce the strength of the magnets.

Make sure that the surface the NV-FS1 is fixed to is flat. The holding power of the magnets may not be sufficient on non-level surfaces.

## Zip tie mounting

The zip tie mounting option is particularly useful when installing the NV-FS1 to round objects such as posts, rods or pipes as well as to grills of various types.

Insert the supplied zip ties through the zip tie mounting slots, and wrap them around or through the object you want to install the NV-FS1 to. Then tighten the zip ties.

## Screw mounting

Screw-fix the NV-FS1 to your mounting surface through the screw mounting holes.

The NV-FS1 includes standard universal screws and wall plugs that work well with many common wall and ceiling types such as typical brick, concrete or plasterboard setups. The screws can also be used with wood. However, please always double check suitability for your mounting situation and verify that the screws sit firmly after installation. Use custom screws and/or plugs if necessary.

Use 6mm diameter drills when drilling holes for the supplied wall plugs.

Adjust the position of the screws in the slotted mounting holes if you want to turn the NV-FS1 slightly.

## **Warranty & support**

---

Even with high-grade products and strict quality control, the possibility of defects cannot be eliminated entirely. Therefore, we aim at providing the highest possible level of reliability and convenience by offering a warranty period of 6 years and direct, fast and straightforward RMA service.

Should you encounter any problems with your NV-FS1, please don't hesitate to contact our support team at [support@noctua.at](mailto:support@noctua.at).

Please also consult the FAQ section on our website: [faq.noctua.at](https://www.noctua.at/faq)