



User Manual

HOME



NOCTUA NV-FS2
Multi-purpose fan set for device cooling

NOCTUA NV-FS2

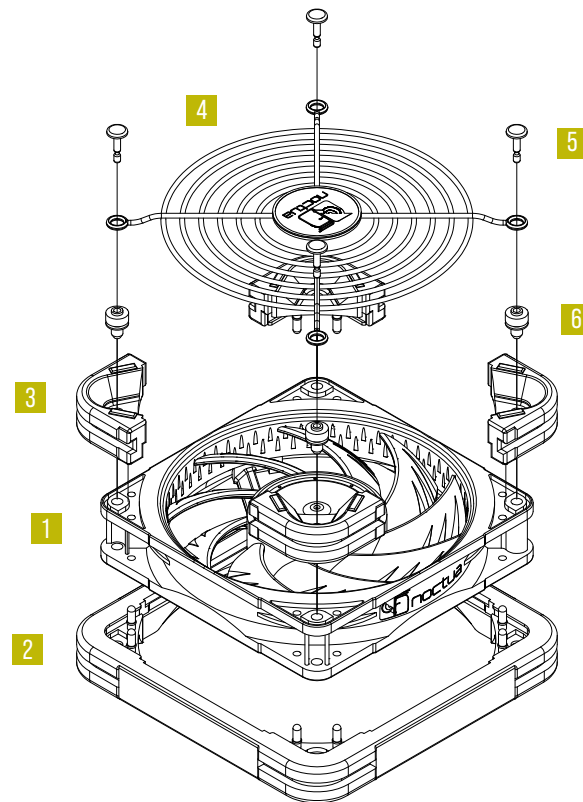
Multi-purpose fan set for device cooling

The NV-FS2 is a premium grade multi-purpose fan set that is ideal for adding extra cooling to electronic devices such as A/V receivers, DVRs, video game consoles, stereo equipment, routers or storage solutions.

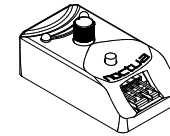
Whilst the NV-FS2 fan set comes pre-assembled ready for use, due to its modular design it can also be disassembled or modified for specific applications. A breakdown of the key components can be found below.

Key components

- 1 NF-A12x25 PWM chromax.black premium fan
- 2 NV-MPG1-12.black multi-purpose gasket
- 3 4x NV-MPP1.black multi-purpose pads
- 4 NA-FG1-12 120mm fan grill
- 5 Push-pin insert
- 6 Push-pin plug



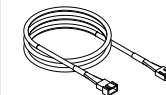
Accessories



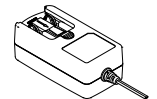
NA-FC1
fan controller



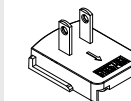
NA-AC10
adaptor cable



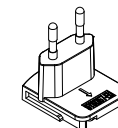
NV-EC4-1m
extension cable



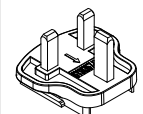
NV-PS1
power supply



US socket adaptor
(Type A)



EU socket adaptor
(Type C)

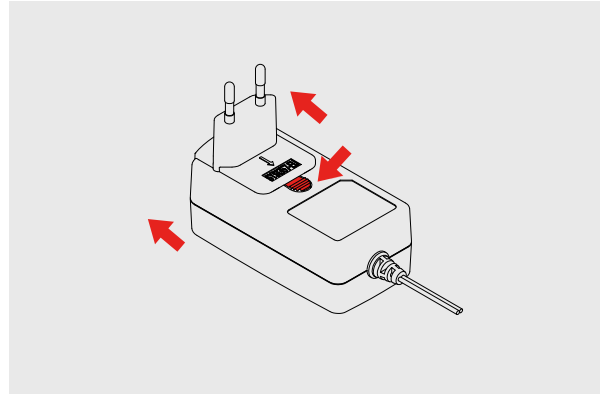


UK socket adaptor
(Type G)

Setup

With the NV-PS1 power supply, the NV-FS2 set can be powered directly from the mains, and includes modular connectors for EU, US and UK type sockets. To assemble the power supply, simply slide the chosen connector onto the main NV-PS1 device until it clicks into place.

To remove or switch the connector to a different socket type, hold down the release button and slide the connector back up.

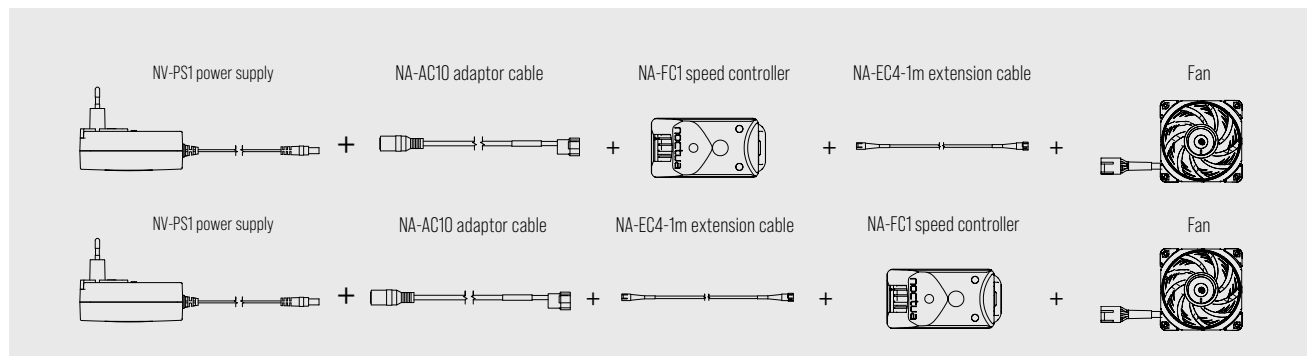


To connect the NV-PS1 power supply to the fan, insert the NA-AC10 adaptor between the primary fan cable and the cable of the NV-PS1 power supply.

In addition to the 135cm cable of the NV-PS1 power supply, the 30cm long NA-AC10 adaptor and the fan's 20cm primary cable, the NV-FS1

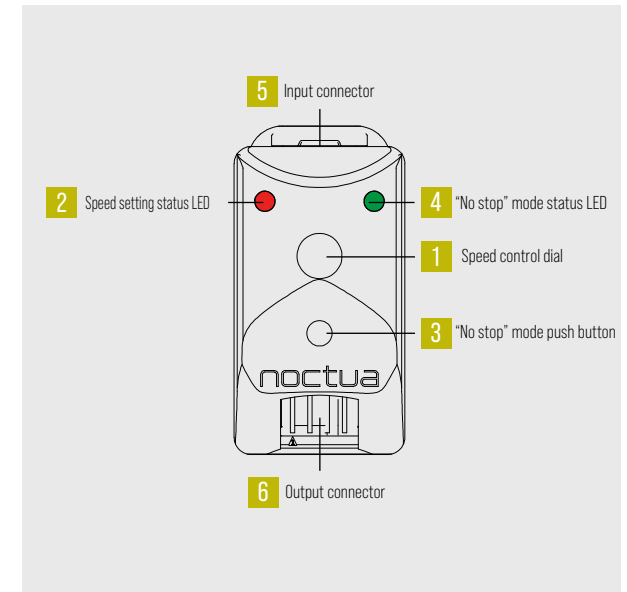
set includes an NV-EC4 1m extension cable that increases the total reach to 2.85m.

If using the extension cable, this should be connected between the NA-AC10 adaptor and the primary fan cable. The NA-FC1 fan controller can be placed before or after the extension cable for maximum flexibility.



Speed control

For convenient stepless speed control, the NA-FC1 controller makes it possible to adjust the fan from maximum airflow performance all the way to near-inaudible operation, via the speed control dial.



By default, the fan will start up when the speed control dial is turned up, and turn off when the dial is turned back to minimum.

If the small push button is pressed (3) and the green status LED is on (4), the NA-FC1 will operate in "no stop" mode, which means that it will not allow the fan to fall below 300rpm, regardless of the speed setting.

Removing the fan grill for acoustic optimisation

In its default setup, the NV-FS2 has a fan grill pre-installed on the intake side, using push-pins that offset the grill from the fan by 5mm to improve intake acoustics and airflow efficiency.

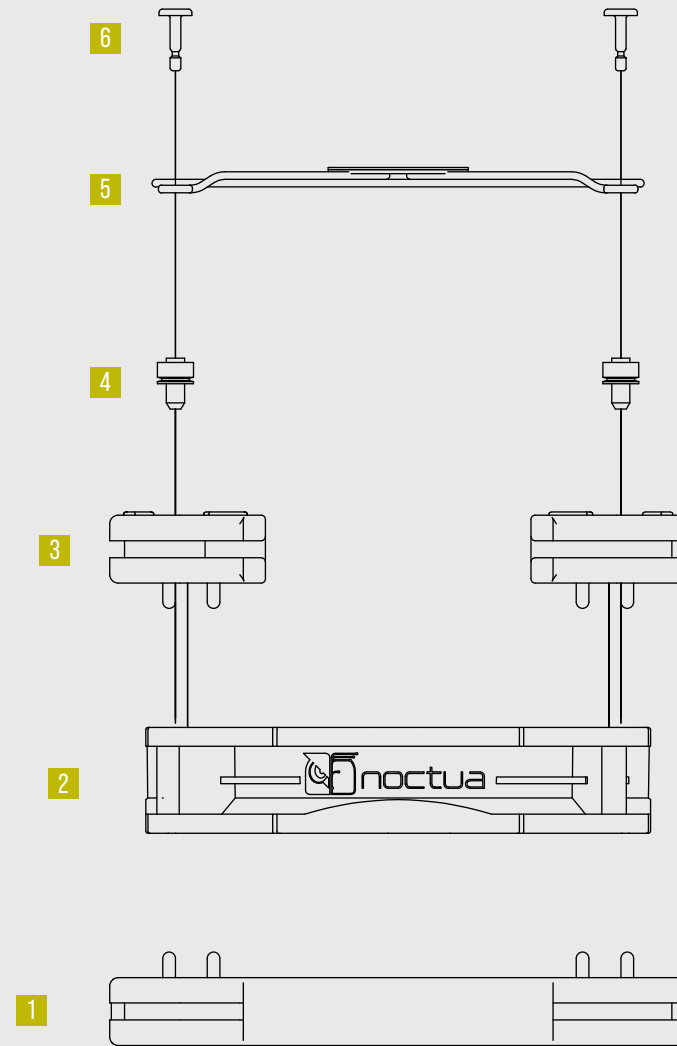
However, depending on the orientation in which you intend to use the NV-FS2, it may be necessary to remove the fan grill [for example if you wish to install it underneath a device with the NV-MPP1 pads facing downwards].

Furthermore, both acoustics and airflow performance can be further improved by removing the grill in applications where protection from accidental touch or other mechanical contact is not necessary.

To remove the grill, hold the fan tightly with one hand and pull on the grill so that the push-pins release.

If you wish to re-attach the fan grill to the fan at a later date, you can either re-use the push-pins or use the supplied fan screws.

For the push-pin mounting, please first insert the rubber plugs into the fan's mounting holes. Then put on the grill and fix it by pushing the pins into the holes.



- 1 NV-MPG1-12.black multi-purpose gasket
- 2 NF-A12x25 PWM chromax.black premium fan
- 3 4x NV-MPP1.black multi-purpose pads

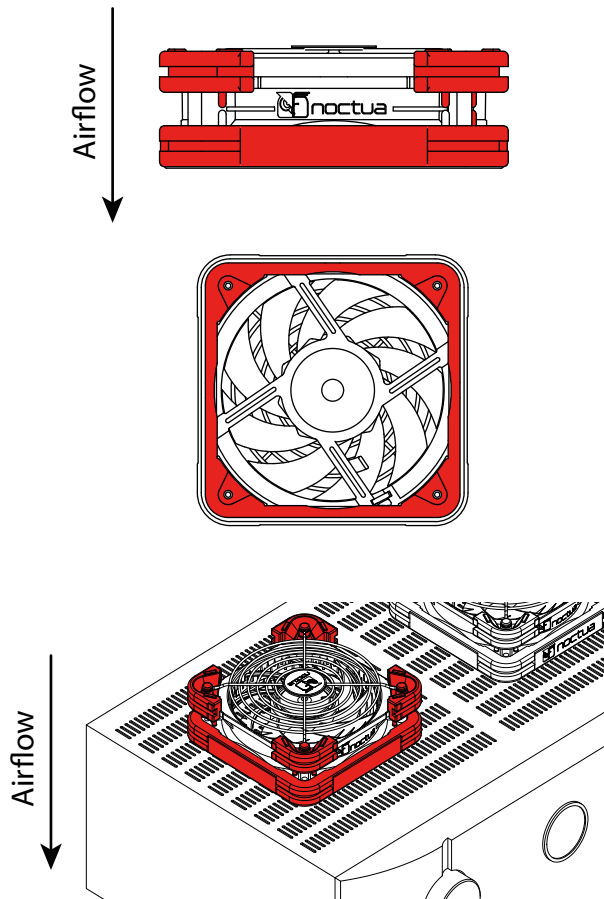
- 4 Push-pin plug
- 5 NA-FG1-12 120mm fan grill
- 6 Push-pin insert

Example setups

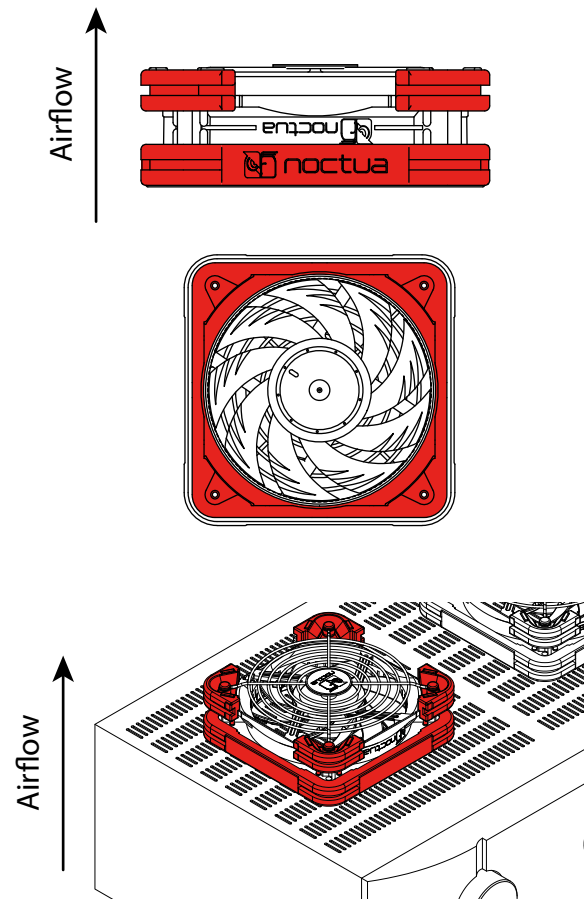
Thanks to its modular design, the NV-FS2 can be disassembled or modified for specific applications.

Some example setups can be found below:

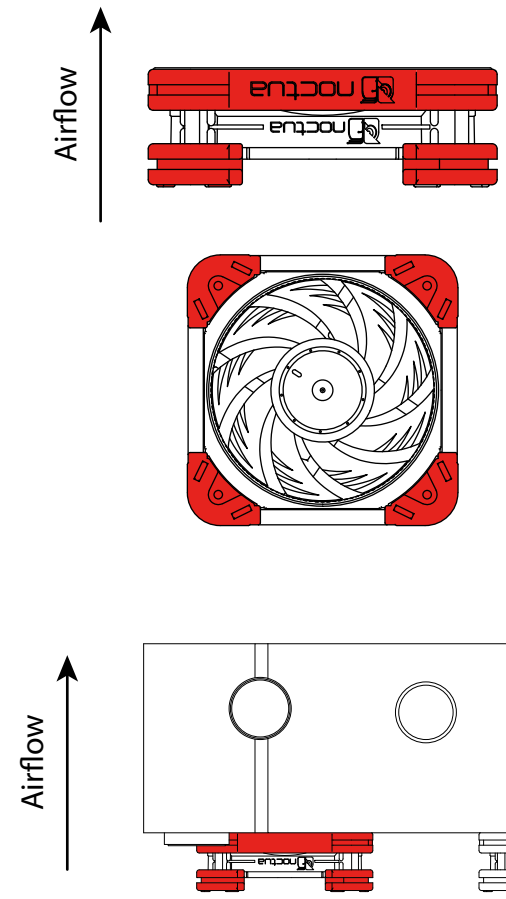
Top intake (default setup)



Top exhaust



Bottom intake



Warranty & support

Even with high-grade products and strict quality control, the possibility of defects cannot be eliminated entirely. Therefore, we aim at providing the highest possible level of reliability and convenience by offering a warranty period of 6 years and direct, fast and straightforward RMA service.

Should you encounter any problems with your NV-FS2, please don't hesitate to contact our support team at support@noctua.at.

Please also consult the FAQ section on our website: [faq.noctua.at](https://www.noctua.at/faq)