



User Manual

HOME



NOCTUA NV-MPP1 Sx4
Multi-purpose pads for 120 & 140mm fans

NOCTUA NV-MPP1 Sx4

Multi-purpose pads for 120 & 140mm fans

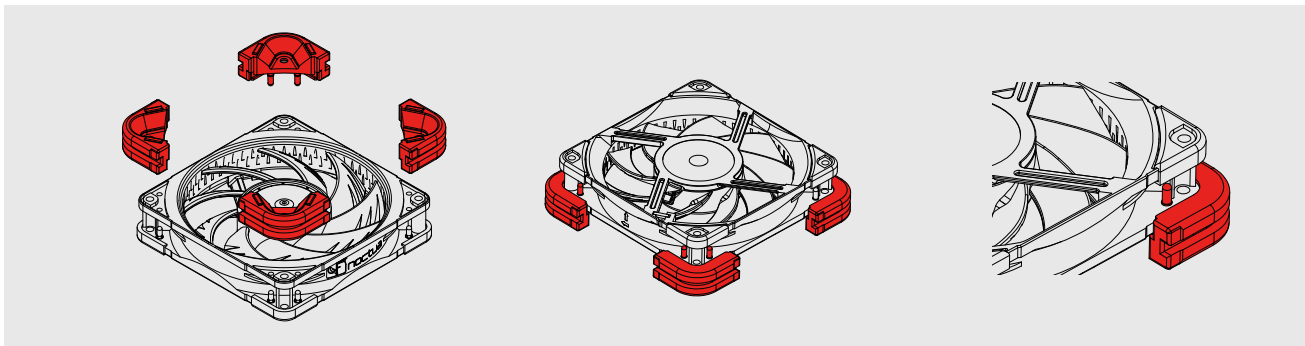
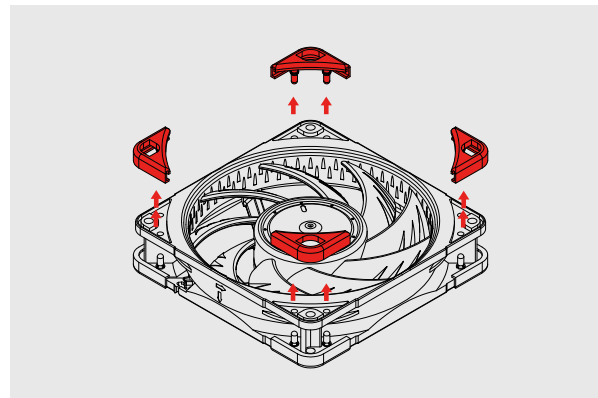
The NV-MPP1 Sx4 is a set of four NV-MPP1 multi-purpose anti-vibration pads for Noctua 120x25mm and 140x25mm fans. Made from thick, soft silicone, the NV-MPP1 pads can be utilised to put a fan underneath small devices that have ventilation holes at the bottom side, to blow cool air into the device, or to put fans on top of devices that have ventilation holes on top, in order to help exhaust hot air.

Installation

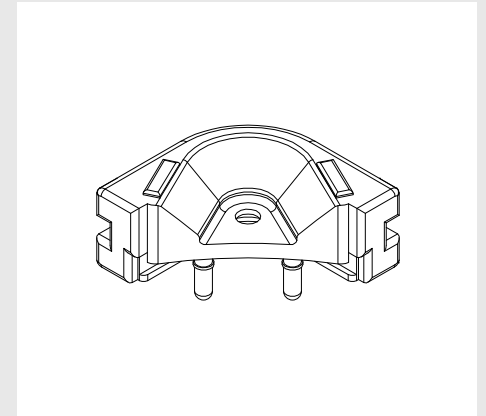
To install the NV-MPP1 multi-purpose pads, first remove the fan's default anti-vibration pads.

Then, simply press the pads onto the fan until the pins go through the mounting holes and the lip wraps around the corners of the fan.

Ensure that the rubber pins are fully pulled through the fan frame so that they click into place.



Included parts

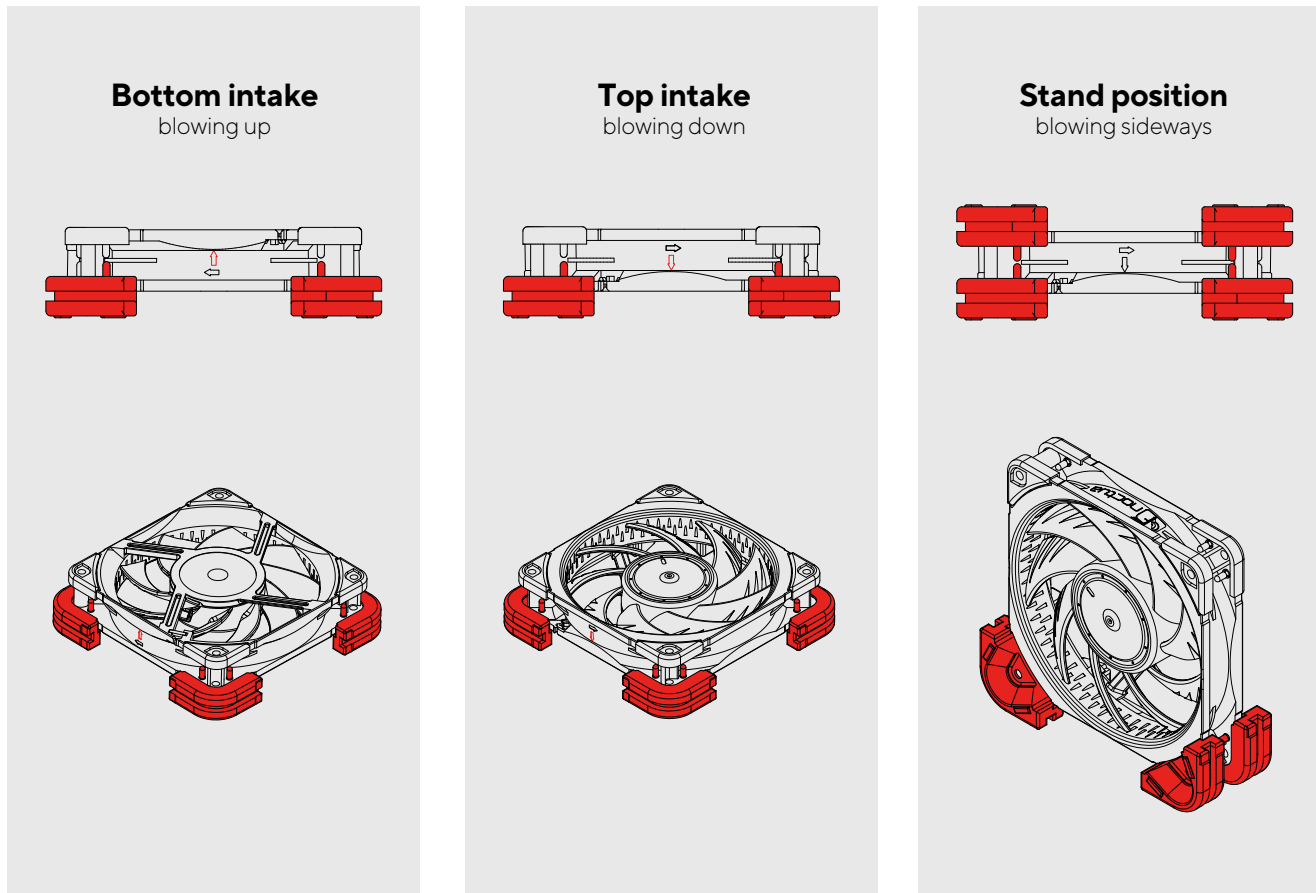


NV-MPP1
4x Multi-purpose pads

Example setups

All four NV-MPP1 pads can be installed onto either the intake side of the fan, for placing the fan underneath devices that have ventilation holes on the bottom, or the outlet side of the fan, to place on top of devices that have ventilation holes on top.

Alternatively, the pads can also be installed along a single edge of the fan, allowing it to be used in a 'stand' position and to have the fan blowing sideways.



Warranty & support

Even with high-grade products and strict quality control, the possibility of defects cannot be eliminated entirely. Therefore, we aim at providing the highest possible level of reliability and convenience by offering a warranty period of 6 years and direct, fast and straightforward RMA service.

Should you encounter any problems with your NV-MPP1, please don't hesitate to contact our support team at support@noctua.at.

Please also consult the FAQ section on our website: [faq.noctua.at](https://www.noctua.at/faq)